



# CK 100 A

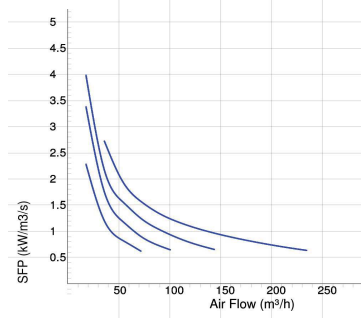
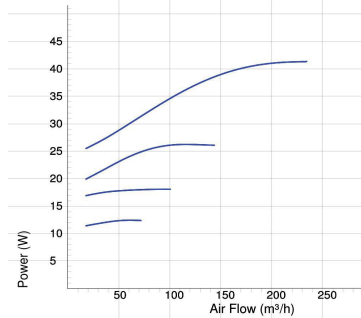
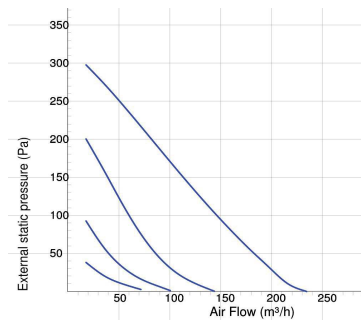


## CK

- Duct fan with circular connections.
- Proven performance and reliability.
- Compact with high capacity and efficiency.
- Low sound levels.
- Operational in both 50 and 60 Hz.
- Impeller with backward curved blades.
- The external rotor motor has maintenance-free sealed ball-bearings and is very energy efficient.
- For speed control a transformer or electronic speed controller can be connected.
- Integrated motor protection.
- Junction box has enclosure class IP 54.
- Fan housing is manufactured from galvanized sheet steel.
- The fan is intended to be installed in a duct system.
- A duct connected fan can be installed outside or in damp environments.
- Easy installation in any position.
- To comply with the ErP 2018 regulation, a local demand controller must be used.

## Accessories

- VRTE C
- VRDE 1,5
- VRS 0.5
- Local Demand Controller Kit
- MB
- MK 100
- BSV 100
- RSK 100
- YG 100
- VK 100
- FLK 100
- FLF 100
- LDC 100



## Voltage steps

1	2	3	4
110V	135V	165V	230V

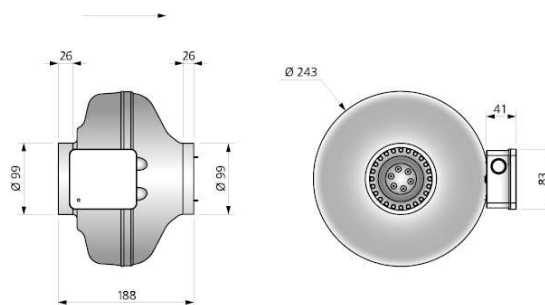
## TECHNICAL DATA

	700001 CK 100 A man tp	7000030 CK 100 A aut tp
Voltage	230 V	230 V
Phase	1 ~	1 ~
Frequency	50 Hz	50 Hz
Optional frequency	60 Hz	60 Hz
Power	41 W	41 W
Current	0.18 A	0.18 A
Speed	2040 r.p.m.	2040 r.p.m.
Max. temperature of transported air	80 °C	80 °C
Max. temperature of transported air when speed controlled	80 °C	80 °C
Sound pressure level at 3 m	37 dB(A)	37 dB(A)
Weight	2.6 kg	2.6 kg
Enclosure class	44 IP	44 IP
Insulation class, motor	F	F
Capacitor	3 µF	3 µF
Duct connection	100 mm	100 mm
Max. flow	223 m³/h	223 m³/h
Max. pressure	319 Pa	319 Pa
Voltage range	220-240 V	220-240 V

## SOUND DATA

	Flow (m³/h)	L <sub>WA</sub> tot dB (A)	63Hz	125Hz	250Hz	500Hz	1KHz	2KHz	4KHz	8KHz
4. Surrounding Lw dB(A) 230V	112	44	22	31	38	36	38	35	34	31
4. Outlet Lw dB(A) 230V	112	66	55	56	61	60	57	56	50	43
4. Inlet Lw dB(A) 230V	112	66	56	57	60	62	58	54	50	44
3. Inlet Lw dB(A) 165V	76	57	46	48	51	51	48	43	36	26
2. Inlet Lw dB(A) 135V	43	48	39	41	43	42	38	30	22	13
1. Inlet Lw dB(A) 110V	32	40	33	33	35	33	28	17	16	10

## DIMENSIONS





# CK 100 C

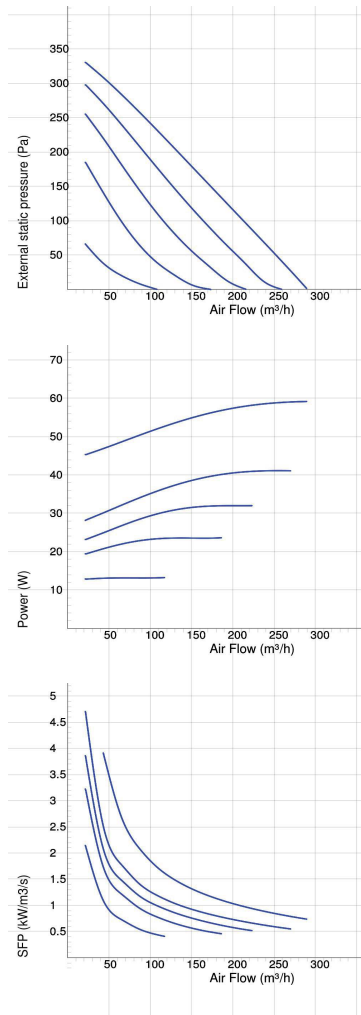


## CK

- Duct fan with circular connections.
- Proven performance and reliability.
- Compact with high capacity and efficiency.
- Low sound levels.
- Operational in both 50 and 60 Hz.
- Impeller with backward curved blades.
- The external rotor motor has maintenance-free sealed ball-bearings and is very energy efficient.
- For speed control a transformer or electronic speed controller can be connected.
- Integrated motor protection.
- Junction box has enclosure class IP 54.
- Fan housing is manufactured from galvanized sheet steel.
- The fan is intended to be installed in a duct system.
- A duct connected fan can be installed outside or in damp environments.
- Easy installation in any position.
- To comply with the ErP 2018 regulation, a local demand controller must be used.

## Accessories

- VRTE C
- VRDE 1,5
- VRS 0.5
- Local Demand Controller Kit
- MB
- MK 100
- BSV 100
- RSK 100
- YG 100
- VK 100
- FLK 100
- FLF 100
- LDC 100



## Voltage steps

1	2	3	4	5
80V	110V	135V	165V	230V

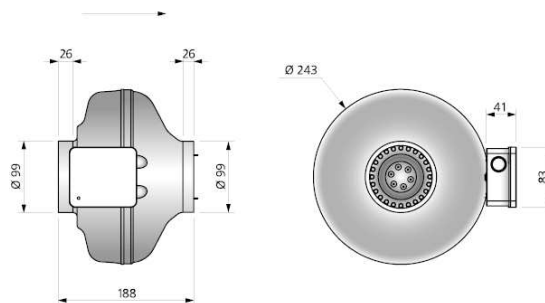
## TECHNICAL DATA

	7000034 CK 100 C aut tp	7000003 CK 100 C man tp
Voltage	230 V	230 V
Phase	1 ~	1 ~
Frequency	50 Hz	50 Hz
Optional frequency	60 Hz	60 Hz
Power	59 W	59 W
Current	0.26 A	0.26 A
Speed	2570 r.p.m.	2570 r.p.m.
Max. temperature of transported air	80 °C	80 °C
Sound pressure level at 3 m	42 dB(A)	42 dB(A)
Weight	2.6 kg	2.6 kg
Enclosure class	44 IP	44 IP
Insulation class, motor	F	F
Capacitor	2 µF	2 µF
Duct connection	100 mm	100 mm
Max. flow	292 m³/h	292 m³/h
Max. pressure	350 Pa	350 Pa
Voltage range	220-240 V	220-240 V

## SOUND DATA

	Flow (m³/h)	$L_{WA}$ tot dB (A)	63Hz	125Hz	250Hz	500Hz	1KHz	2KHz	4KHz	8KHz
5. Surrounding Lw dB(A) 230V	173	49	26	37	43	41	43	38	40	35
5. Outlet Lw dB(A) 230V	173	70	57	61	65	64	62	60	56	49
5. Inlet Lw dB(A) 230V	173	71	56	60	64	66	62	58	55	49
4. Inlet Lw dB(A) 165V	155	68	55	57	62	63	59	55	51	44
3. Inlet Lw dB(A) 135V	130	63	52	53	58	59	54	50	45	37
2. Inlet Lw dB(A) 110V	101	57	46	48	52	51	47	42	35	25
1. Inlet Lw dB(A) 80V	61	45	36	38	41	39	34	24	22	17

## DIMENSIONS





# CK 125 A

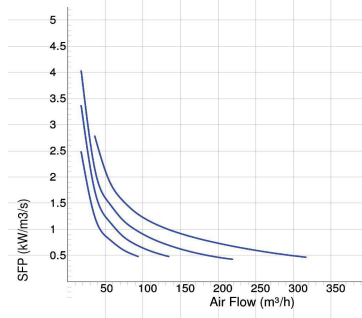
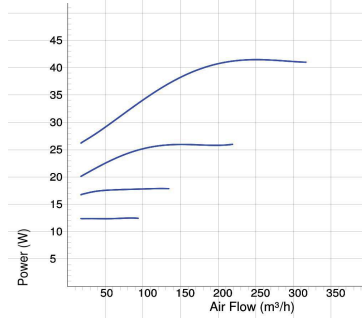
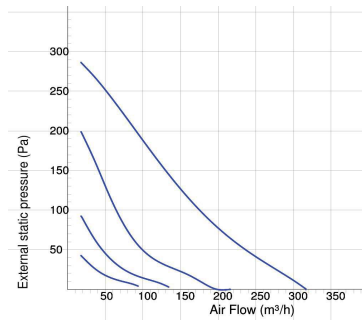


## CK

- Duct fan with circular connections.
- Proven performance and reliability.
- Compact with high capacity and efficiency.
- Low sound levels.
- Operational in both 50 and 60 Hz.
- Impeller with backward curved blades.
- The external rotor motor has maintenance-free sealed ball-bearings and is very energy efficient.
- For speed control a transformer or electronic speed controller can be connected.
- Integrated motor protection.
- Junction box has enclosure class IP 54.
- Fan housing is manufactured from galvanized sheet steel.
- The fan is intended to be installed in a duct system.
- A duct connected fan can be installed outside or in damp environments.
- Easy installation in any position.
- To comply with the ErP 2018 regulation, a local demand controller must be used.

## Accessories

- VRTE C
- VRDE 1,5
- VRS 0.5
- Local Demand Controller Kit
- MB
- MK 125
- BSV 125
- RSK 125
- YG 125
- VK 125
- FLK 125
- FLF 125
- LDC 125



### Voltage steps

1	2	3	4
110V	135V	165V	230V

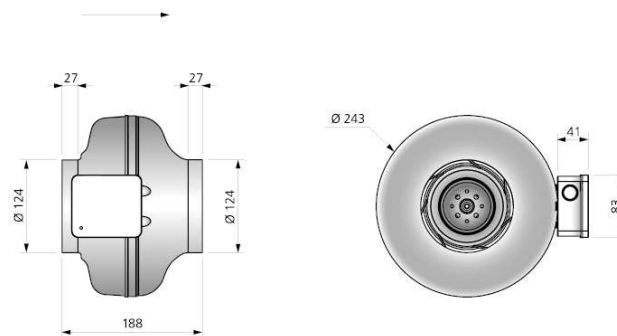
## TECHNICAL DATA

	7000005 CK 125 A man tp	7000037 CK 125 A aut tp
Voltage	230 V	230 V
Phase	1 ~	1 ~
Frequency	50 Hz	50 Hz
Optional frequency	60 Hz	60 Hz
Power	41 W	41 W
Current	0.18 A	0.18 A
Speed	1960 r.p.m.	1960 r.p.m.
Max. temperature of transported air	80 °C	80 °C
Max. temperature of transported air when speed controlled	80 °C	80 °C
Sound pressure level at 3 m	36 dB(A)	36 dB(A)
Weight	2.6 kg	2.6 kg
Enclosure class	44 IP	44 IP
Insulation class, motor	F	F
Capacitor	3 µF	3 µF
Duct connection	125 mm	125 mm
Max. flow	317 m³/h	317 m³/h
Max. pressure	300 Pa	300 Pa
Voltage range	220-240 V	220-240 V

## SOUND DATA

	Flow (m³/h)	L <sub>WA</sub> tot dB (A)	63Hz	125Hz	250Hz	500Hz	1KHz	2KHz	4KHz	8KHz
4. Surrounding Lw dB(A) 230V	126	43	16	31	36	34	36	34	34	32
4. Outlet Lw dB(A) 230V	126	67	47	61	62	59	57	54	49	42
4. Inlet Lw dB(A) 230V	126	68	48	62	63	60	58	54	49	43
3. Inlet Lw dB(A) 165V	79	58	41	54	52	50	47	42	34	24
2. Inlet Lw dB(A) 135V	54	50	34	48	44	41	37	29	22	12
1. Inlet Lw dB(A) 110V	40	42	28	40	37	32	27	16	23	17

## DIMENSIONS





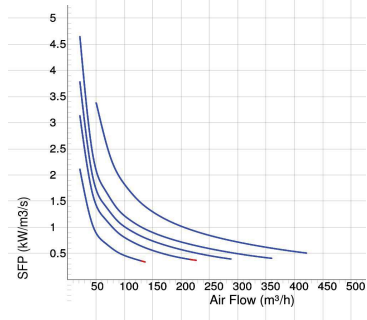
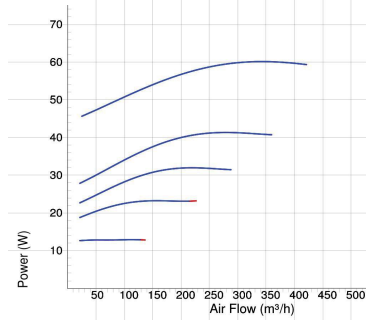
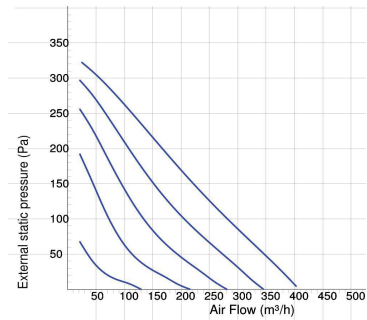
# CK 125 C

CK

- Duct fan with circular connections.
- Proven performance and reliability.
- Compact with high capacity and efficiency.
- Low sound levels.
- Operational in both 50 and 60 Hz.
- Impeller with backward curved blades.
- The external rotor motor has maintenance-free sealed ball-bearings and is very energy efficient.
- For speed control a transformer or electronic speed controller can be connected.
- Integrated motor protection.
- Junction box has enclosure class IP 54.
- Fan housing is manufactured from galvanized sheet steel.
- The fan is intended to be installed in a duct system.
- A duct connected fan can be installed outside or in damp environments.
- Easy installation in any position.
- To comply with the ErP 2018 regulation, a local demand controller must be used.

## Accessories

- VRTE C
- VRDE 1,5
- VRS 0.5
- Local Demand Controller Kit
- MB
- MK 125
- BSV 125
- RSK 125
- YG 125
- VK 125
- FLK 125
- FLF 125
- LDC 125



### Voltage steps

1	2	3	4	5
80V	110V	135V	165V	230V

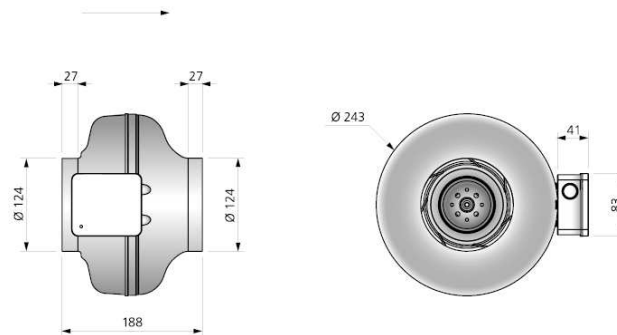
## TECHNICAL DATA

	7000040 CK 125 C aut tp	7000007 CK 125 C man tp
Voltage	230 V	230 V
Phase	1 ~	1 ~
Frequency	50 Hz	50 Hz
Optional frequency	60 Hz	60 Hz
Power	60 W	60 W
Current	0.26 A	0.26 A
Speed	2530 r.p.m.	2530 r.p.m.
Max. temperature of transported air	80 °C	80 °C
Max. temperature of transported air when speed controlled	80 °C	80 °C
Sound pressure level at 3 m	38 dB(A)	38 dB(A)
Weight	2.6 kg	2.6 kg
Enclosure class	44 IP	44 IP
Insulation class, motor	F	F
Capacitor	2 µF	2 µF
Duct connection	125 mm	125 mm
Max. flow	407 m³/h	407 m³/h
Max. pressure	337 Pa	337 Pa
Voltage range	220-240 V	220-240 V

## SOUND DATA

	Flow (m³/h)	$L_{WA}$ tot dB (A)	63Hz	125Hz	250Hz	500Hz	1KHz	2KHz	4KHz	8KHz
5. Surrounding Lw dB(A) 230V	220	45	18	29	38	38	40	32	35	30
5. Outlet Lw dB(A) 230V	220	70	50	62	66	64	62	59	56	49
5. Inlet Lw dB(A) 230V	220	71	48	62	65	65	63	59	56	50
4. Inlet Lw dB(A) 165V	187	68	46	61	63	61	59	55	52	45
3. Inlet Lw dB(A) 135V	158	63	44	58	58	57	54	50	45	36
2. Inlet Lw dB(A) 110V	119	57	39	51	52	50	47	42	36	25
1. Inlet Lw dB(A) 80V	61	46	30	43	41	37	32	23	23	17

## DIMENSIONS





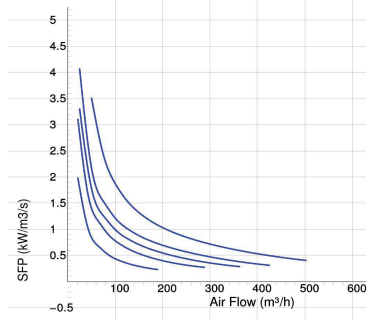
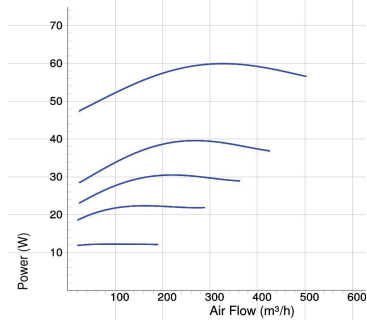
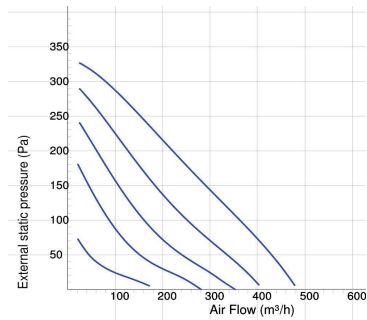
# CK 160 B

CK

- Duct fan with circular connections.
- Proven performance and reliability.
- Compact with high capacity and efficiency.
- Low sound levels.
- Operational in both 50 and 60 Hz.
- Impeller with backward curved blades.
- The external rotor motor has maintenance-free sealed ball-bearings and is very energy efficient.
- For speed control a transformer or electronic speed controller can be connected.
- Integrated motor protection.
- Junction box has enclosure class IP 54.
- Fan housing is manufactured from galvanized sheet steel.
- The fan is intended to be installed in a duct system.
- A duct connected fan can be installed outside or in damp environments.
- Easy installation in any position.
- To comply with the ErP 2018 regulation, a local demand controller must be used.

## Accessories

- VRTE C
- VRDE 1,5
- VRS 0.5
- Local Demand Controller Kit
- MB
- MK 160
- BSV 160
- RSK 160
- YG 160
- VK 160
- FLK 160
- FLF 160
- LDC 160



### Voltage steps

1	2	3	4	5
80V	110V	135V	165V	230V

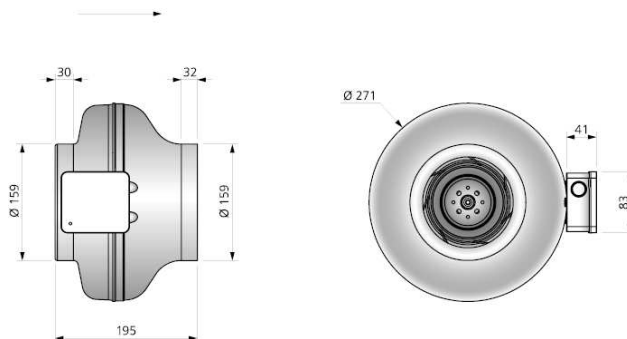
## TECHNICAL DATA

	7000009 CK 160 B man tp	7000048 CK 160 B aut tp
Voltage	230 V	230 V
Phase	1 ~	1 ~
Frequency	50 Hz	50 Hz
Optional frequency	60 Hz	60 Hz
Power	60 W	60 W
Current	0.26 A	0.26 A
Speed	2490 r.p.m.	2490 r.p.m.
Max. temperature of transported air	80 °C	80 °C
Max. temperature of transported air when speed controlled	80 °C	80 °C
Sound pressure level at 3 m	39 dB(A)	39 dB(A)
Weight	2.9 kg	2.9 kg
Enclosure class	44 IP	44 IP
Insulation class, motor	F	F
Capacitor	2 µF	2 µF
Duct connection	160 mm	160 mm
Max. flow	486 m³/h	486 m³/h
Max. pressure	332 Pa	332 Pa
Voltage range	220-240 V	220-240 V

## SOUND DATA

	Flow (m³/h)	$L_{WA}$ tot dB (A)	63Hz	125Hz	250Hz	500Hz	1KHz	2KHz	4KHz	8KHz
5. Surrounding Lw dB(A) 230V	256	46	18	25	41	37	41	36	33	30
5. Outlet Lw dB(A) 230V	256	66	49	57	60	60	58	55	54	49
5. Inlet Lw dB(A) 230V	256	66	49	56	60	60	58	56	54	51
4. Inlet Lw dB(A) 165V	216	62	45	53	57	57	54	52	49	45
3. Inlet Lw dB(A) 135V	176	58	41	51	52	52	49	47	42	36
2. Inlet Lw dB(A) 110V	144	52	37	47	47	46	43	38	33	27
1. Inlet Lw dB(A) 80V	101	42	28	37	37	36	30	22	23	21

## DIMENSIONS





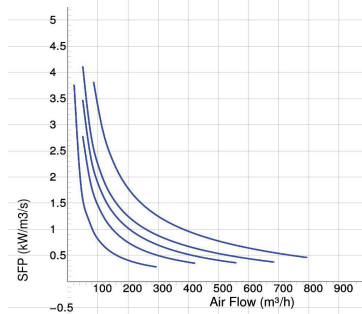
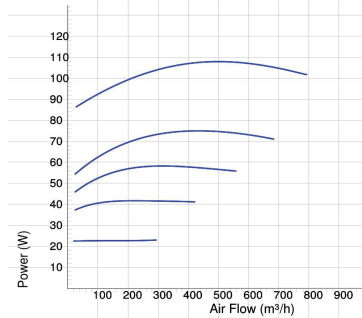
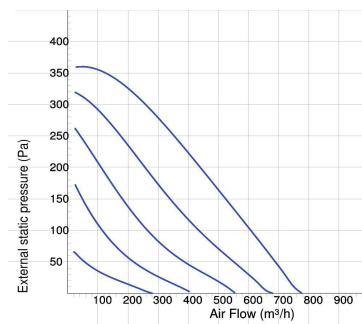
# CK 160 C

## CK

- Duct fan with circular connections.
- Proven performance and reliability.
- Compact with high capacity and efficiency.
- Low sound levels.
- Operational in both 50 and 60 Hz.
- Impeller with backward curved blades.
- The external rotor motor has maintenance-free sealed ball-bearings and is very energy efficient.
- For speed control a transformer or electronic speed controller can be connected.
- Integrated motor protection.
- Junction box has enclosure class IP 54.
- Fan housing is manufactured from galvanized sheet steel.
- The fan is intended to be installed in a duct system.
- A duct connected fan can be installed outside or in damp environments.
- Easy installation in any position.
- To comply with the ErP 2018 regulation, a local demand controller must be used.

## Accessories

- VRTE C
- VRDE 1,5
- VRS 1.0
- Local Demand Controller Kit
- MB
- MK 160
- BSV 160
- RSK 160
- YG 160
- VK 160
- FLK 160
- LDC 160



## Voltage steps

1	2	3	4	5
80V	110V	135V	165V	230V

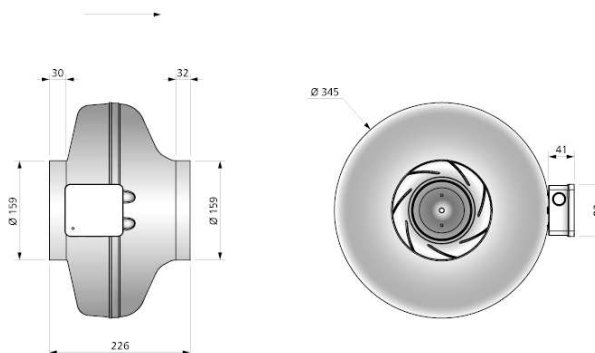
## TECHNICAL DATA

	7000011 CK 160 C man tp	7000050 CK 160 C aut tp
Voltage	230 V	230 V
Phase	1 ~	1 ~
Frequency	50 Hz	50 Hz
Optional frequency	60 Hz	60 Hz
Power	108 W	108 W
Current	0.47 A	0.47 A
Speed	2560 r.p.m.	2560 r.p.m.
Max. temperature of transported air	75 °C	75 °C
Max. temperature of transported air when speed controlled	75 °C	75 °C
Sound pressure level at 3 m	43 dB(A)	43 dB(A)
Weight	3.9 kg	3.9 kg
Enclosure class	44 IP	44 IP
Insulation class, motor	F	F
Capacitor	3 µF	3 µF
Duct connection	160 mm	160 mm
Max. flow	767 m³/h	767 m³/h
Max. pressure	361 Pa	361 Pa
Voltage range	220-240 V	220-240 V

## SOUND DATA

	Flow (m³/h)	$L_{WA}$ tot dB (A)	63Hz	125Hz	250Hz	500Hz	1KHz	2KHz	4KHz	8KHz
5. Surrounding Lw dB(A) 230V	428	50	21	35	45	43	45	36	37	28
5. Outlet Lw dB(A) 230V	428	73	56	64	67	67	65	61	60	53
5. Inlet Lw dB(A) 230V	428	74	54	64	70	70	66	62	60	53
4. Inlet Lw dB(A) 165V	360	70	51	62	65	65	61	57	54	46
3. Inlet Lw dB(A) 135V	281	65	49	59	60	59	55	50	46	36
2. Inlet Lw dB(A) 110V	220	57	41	51	53	51	47	40	36	26
1. Inlet Lw dB(A) 80V	144	49	35	46	43	40	35	26	27	21

## DIMENSIONS





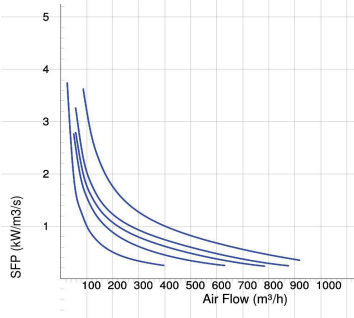
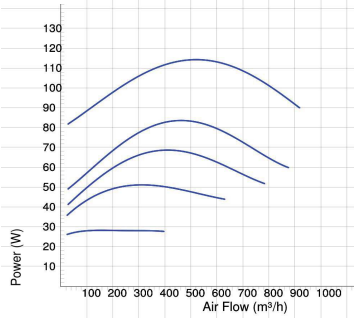
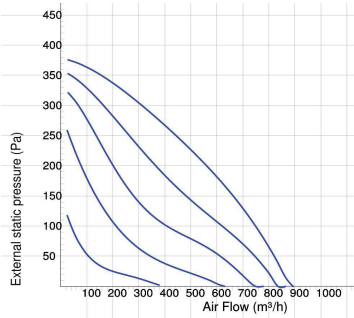
# CK 200 A

CK

- Duct fan with circular connections.
- Proven performance and reliability.
- Compact with high capacity and efficiency.
- Low sound levels.
- Operational in both 50 and 60 Hz.
- Impeller with backward curved blades.
- The external rotor motor has maintenance-free sealed ball-bearings and is very energy efficient.
- For speed control a transformer or electronic speed controller can be connected.
- Integrated motor protection.
- Junction box has enclosure class IP 54.
- Fan housing is manufactured from galvanized sheet steel.
- The fan is intended to be installed in a duct system.
- A duct connected fan can be installed outside or in damp environments.
- Easy installation in any position.

## Accessories

- VRTE C
- VRDE 1,5
- VRS 1.0
- Local Demand Controller Kit
- MB
- MK 200
- BSV 200
- RSK 200
- YG 200
- VK 200
- FLK 200
- FLF 200
- LDC 200



### Voltage steps

1	2	3	4	5
80V	110V	135V	165V	230V

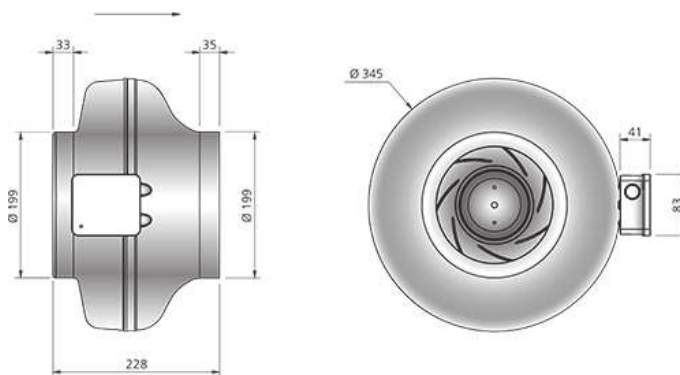
## TECHNICAL DATA

	7000053 CK 200 A aut tp	7000013 CK 200 A man tp
Voltage	230 V	230 V
Phase	1 ~	1 ~
Frequency	50 Hz	50 Hz
Optional frequency	60 Hz	60 Hz
Power	112 W	112 W
Current	0.5 A	0.5 A
Speed	2630 r.p.m.	2630 r.p.m.
Max. temperature of transported air	80 °C	80 °C
Max. temperature of transported air when speed controlled	80 °C	80 °C
Sound pressure level at 3 m	43 dB(A)	43 dB(A)
Weight	4.1 kg	4.1 kg
Enclosure class	44 IP	44 IP
Insulation class, motor	F	F
Capacitor	4 µF	4 µF
Duct connection	200 mm	200 mm
Max. flow	882 m³/h	882 m³/h
Max. pressure	379 Pa	379 Pa
Voltage range	220-240 V	220-240 V

## SOUND DATA

	Flow (m³/h)	L <sub>WA</sub> tot dB (A)	63Hz	125Hz	250Hz	500Hz	1KHz	2KHz	4KHz	8KHz
5. Surrounding Lw dB(A) 230V	551	50	24	34	41	44	46	40	39	28
5. Outlet Lw dB(A) 230V	551	75	55	58	65	71	68	65	67	53
5. Inlet Lw dB(A) 230V	551	76	53	58	71	72	68	64	61	52
4. Inlet Lw dB(A) 165V	461	72	51	58	66	69	65	61	56	46
3. Inlet Lw dB(A) 135V	364	67	47	56	61	63	59	55	48	38
2. Inlet Lw dB(A) 110V	270	60	44	51	56	56	51	44	37	26
1. Inlet Lw dB(A) 80V	158	49	39	40	46	44	37	28	26	19

## DIMENSIONS





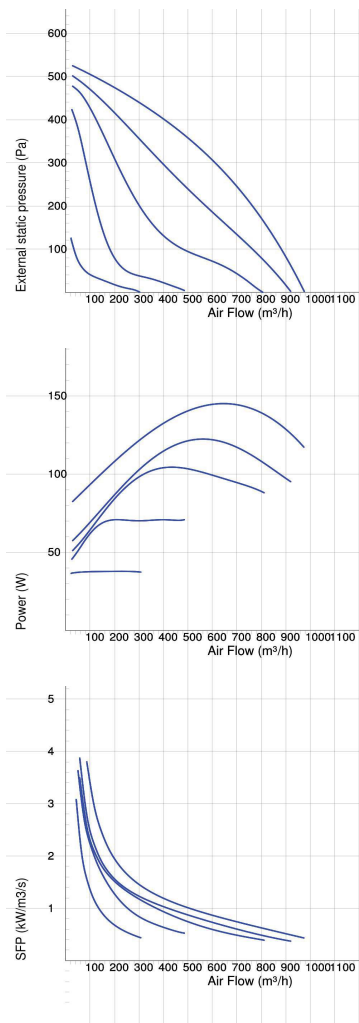
# CK 200 B ErP

CK

- Duct fan with circular connections.
- Proven performance and reliability.
- Compact with high capacity and efficiency.
- Low sound levels.
- Operational in both 50 and 60 Hz.
- Impeller with backward curved blades.
- The external rotor motor has maintenance-free sealed ball-bearings and is very energy efficient.
- For speed control a transformer or electronic speed controller can be connected.
- Integrated motor protection.
- Junction box has enclosure class IP 54.
- Fan housing is manufactured from galvanized sheet steel.
- The fan is intended to be installed in a duct system.
- A duct connected fan can be installed outside or in damp environments.
- Easy installation in any position.

## Accessories

- VRTE C
- VRDE 1,5
- VRS 1.0
- MB
- MK 200
- BSV 200
- RSK 200
- YG 200
- VK 200
- FLK 200
- FLF 200
- LDC 200



### Voltage steps

1	2	3	4	5
80V	110V	135V	165V	230V

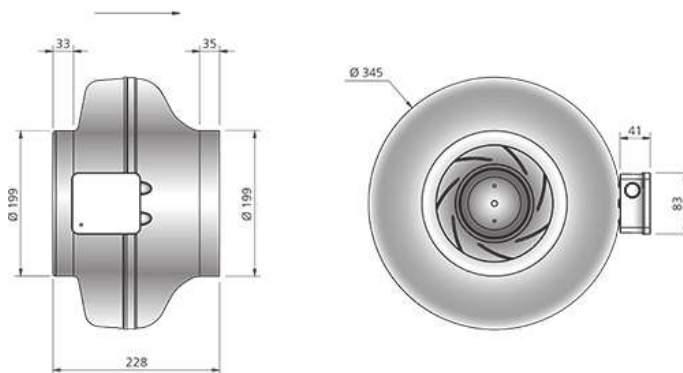
## TECHNICAL DATA

	7000057 CK 200 B aut tp ErP	7000016 CK 200 B man tp ErP
Voltage	230 V	230 V
Phase	1 ~	1 ~
Frequency	50 Hz	50 Hz
Optional frequency	60 Hz	60 Hz
Power	145 W	145 W
Current	0.63 A	0.63 A
Current when speed controlled	0.78 A	0.78 A
Speed	2750 r.p.m.	2750 r.p.m.
Max. temperature of transported air	80 °C	80 °C
Max. temperature of transported air when speed controlled	65 °C	65 °C
Sound pressure level at 3 m	45 dB(A)	45 dB(A)
Weight	4.7 kg	4.7 kg
Enclosure class	44 IP	44 IP
Insulation class, motor	F	F
Capacitor	5 µF	5 µF
Duct connection	200 mm	200 mm
Max. flow	976 m³/h	976 m³/h
Max. pressure	530 Pa	530 Pa
Voltage range	220-240 V	220-240 V

## SOUND DATA

	Flow (m³/h)	L <sub>WA</sub> tot dB (A)	63Hz	125Hz	250Hz	500Hz	1KHz	2KHz	4KHz	8KHz
5. Surrounding Lw dB(A) 230V	691	52	27	34	41	46	48	43	44	35
5. Outlet Lw dB(A) 230V	691	75	57	61	69	69	67	66	64	59
5. Inlet Lw dB(A) 230V	691	74	54	63	68	69	66	63	62	57
4. Inlet Lw dB(A) 165V	590	70	51	59	65	64	62	59	58	49
3. Inlet Lw dB(A) 135V	443	61	45	54	56	56	52	51	45	35
2. Inlet Lw dB(A) 110V	209	52	37	48	45	45	42	34	25	18
1. Inlet Lw dB(A) 80V	144	47	38	45	39	36	30	18	12	13

## DIMENSIONS







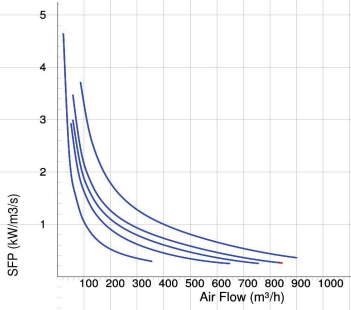
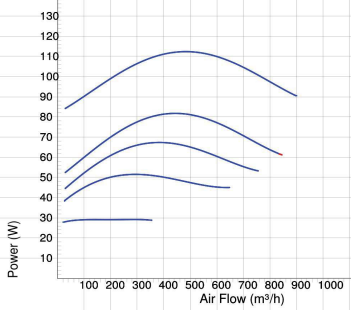
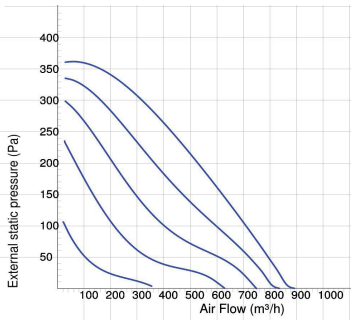
# CK 250 A

CK

- Duct fan with circular connections.
- Proven performance and reliability.
- Compact with high capacity and efficiency.
- Low sound levels.
- Operational in both 50 and 60 Hz.
- Impeller with backward curved blades.
- The external rotor motor has maintenance-free sealed ball-bearings and is very energy efficient.
- For speed control a transformer or electronic speed controller can be connected.
- Integrated motor protection.
- Junction box has enclosure class IP 54.
- Fan housing is manufactured from galvanized sheet steel.
- The fan is intended to be installed in a duct system.
- A duct connected fan can be installed outside or in damp environments.
- Easy installation in any position.

## Accessories

- VRTE C
- VRDE 1,5
- VRS 1.0
- MB
- MK 250
- BSV 250
- RSK 250
- YG 250
- VK 250
- FLK 250
- FLF 250
- LDC 250



### Voltage steps

1	2	3	4	5
80V	110V	135V	165V	230V

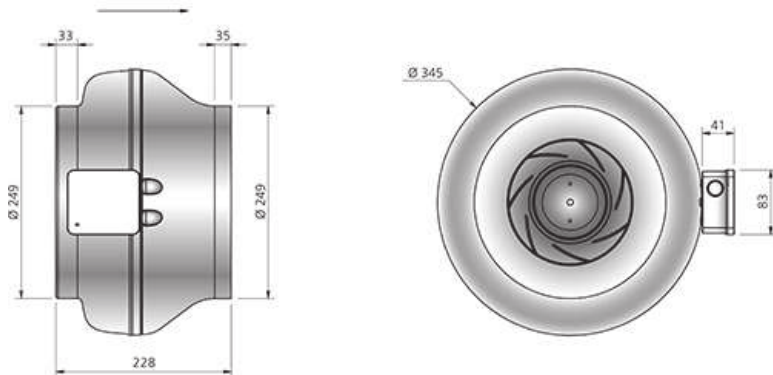
## TECHNICAL DATA

	7000059 CK 250 A aut tp	7000017 CK 250 A man tp
Voltage	230 V	230 V
Phase	1 ~	1 ~
Frequency	50 Hz	50 Hz
Optional frequency	60 Hz	60 Hz
Power	111 W	111 W
Current	0.5 A	0.5 A
Speed	2640 r.p.m.	2640 r.p.m.
Max. temperature of transported air	80 °C	80 °C
Max. temperature of transported air when speed controlled	80 °C	80 °C
Sound pressure level at 3 m	44 dB(A)	44 dB(A)
Weight	4.0 kg	4.0 kg
Enclosure class	44 IP	44 IP
Insulation class, motor	F	F
Capacitor	4 µF	4 µF
Duct connection	250 mm	250 mm
Max. flow	871 m³/h	871 m³/h
Max. pressure	359 Pa	359 Pa
Voltage range	220-240 V	220-240 V

## SOUND DATA

	Flow (m³/h)	L <sub>WA</sub> tot dB (A)	63Hz	125Hz	250Hz	500Hz	1KHz	2KHz	4KHz	8KHz
5. Surrounding Lw dB(A) 230V	522	51	22	34	39	47	46	42	40	28
5. Outlet Lw dB(A) 230V	522	75	58	61	69	67	69	68	64	54
5. Inlet Lw dB(A) 230V	522	75	55	60	68	69	70	65	64	55
4. Inlet Lw dB(A) 165V	490	72	57	59	65	67	66	62	60	50
3. Inlet Lw dB(A) 135V	400	67	53	57	61	61	61	57	53	43
2. Inlet Lw dB(A) 110V	288	61	47	53	55	55	55	50	43	32
1. Inlet Lw dB(A) 80V	162	50	40	44	45	44	42	32	27	22

## DIMENSIONS





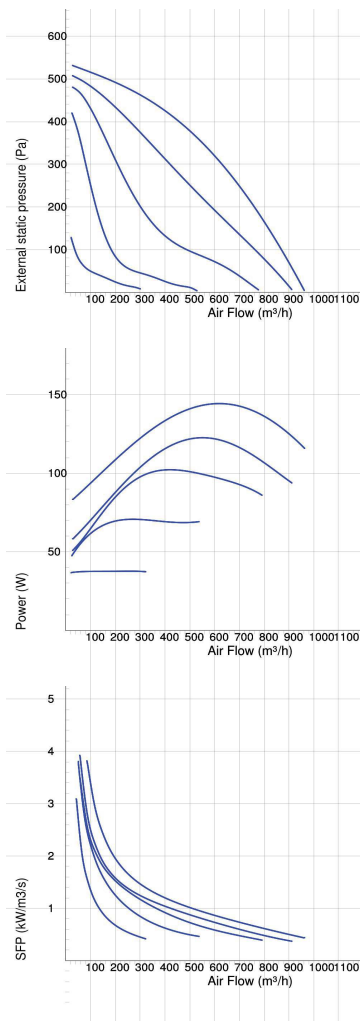
# CK 250 B ErP

CK

- Duct fan with circular connections.
- Proven performance and reliability.
- Compact with high capacity and efficiency.
- Low sound levels.
- Operational in both 50 and 60 Hz.
- Impeller with backward curved blades.
- The external rotor motor has maintenance-free sealed ball-bearings and is very energy efficient.
- For speed control a transformer or electronic speed controller can be connected.
- Integrated motor protection.
- Junction box has enclosure class IP 54.
- Fan housing is manufactured from galvanized sheet steel.
- The fan is intended to be installed in a duct system.
- A duct connected fan can be installed outside or in damp environments.
- Easy installation in any position.

## Accessories

- VRTE C
- VRDE 1,5
- VRS 1.0
- MB
- MK 250
- BSV 250
- RSK 250
- YG 250
- VK 250
- FLK 250
- FLF 250
- LDC 250



### Voltage steps

1	2	3	4	5
80V	110V	135V	165V	230V

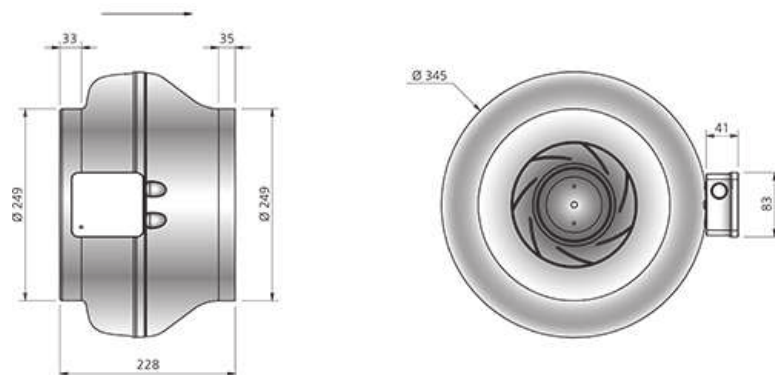
## TECHNICAL DATA

	7000066 CK 250 B aut tp ErP	7000022 CK 250 B man tp ErP
Voltage	230 V	230 V
Phase	1 ~	1 ~
Frequency	50 Hz	50 Hz
Optional frequency	60 Hz	60 Hz
Power	145 W	145 W
Current	0.63 A	0.63 A
Current when speed controlled	0.78 A	0.78 A
Speed	2750 r.p.m.	2750 r.p.m.
Max. temperature of transported air	80 °C	80 °C
Max. temperature of transported air when speed controlled	65 °C	65 °C
Sound pressure level at 3 m	46 dB(A)	46 dB(A)
Weight	4.6 kg	4.6 kg
Enclosure class	44 IP	44 IP
Insulation class, motor	F	F
Capacitor	5 µF	5 µF
Duct connection	250 mm	250 mm
Max. flow	961 m³/h	961 m³/h
Max. pressure	533 Pa	533 Pa
Voltage range	220-240 V	220-240 V

## SOUND DATA

	Flow (m³/h)	L <sub>WA</sub> tot dB (A)	63Hz	125Hz	250Hz	500Hz	1KHz	2KHz	4KHz	8KHz
5. Surrounding Lw dB(A) 230V	752	53	30	32	42	46	49	45	43	38
5. Outlet Lw dB(A) 230V	752	76	57	61	71	66	69	67	65	63
5. Inlet Lw dB(A) 230V	752	75	54	61	67	67	70	66	64	66
4. Inlet Lw dB(A) 165V	641	71	51	59	64	63	65	61	61	61
3. Inlet Lw dB(A) 135V	511	64	47	52	57	56	57	55	59	44
2. Inlet Lw dB(A) 110V	277	54	41	46	47	46	45	48	38	27
1. Inlet Lw dB(A) 80V	166	48	33	40	45	41	36	33	23	20

## DIMENSIONS





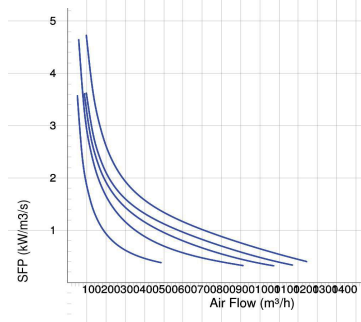
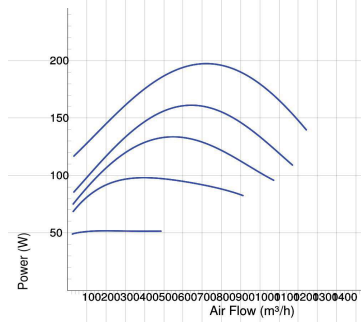
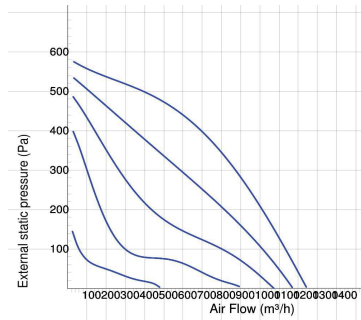
# CK 315 B ErP

CK

- Duct fan with circular connections.
- Proven performance and reliability.
- Compact with high capacity and efficiency.
- Low sound levels.
- Operational in both 50 and 60 Hz.
- Impeller with backward curved blades.
- The external rotor motor has maintenance-free sealed ball-bearings and is very energy efficient.
- For speed control a transformer or electronic speed controller can be connected.
- Integrated motor protection.
- Junction box has enclosure class IP 54.
- Fan housing is manufactured from galvanized sheet steel.
- The fan is intended to be installed in a duct system.
- A duct connected fan can be installed outside or in damp environments.
- Easy installation in any position.

## Accessories

- VRTE 1
- VRDE 1,5
- VRS 2.0
- MB
- MK 315
- BSV 315
- RSK 315
- YG 315
- VK 315
- FLK 315
- FLF 315
- LDC 315



### Voltage steps

1	2	3	4	5
80V	110V	135V	165V	230V

## TECHNICAL DATA

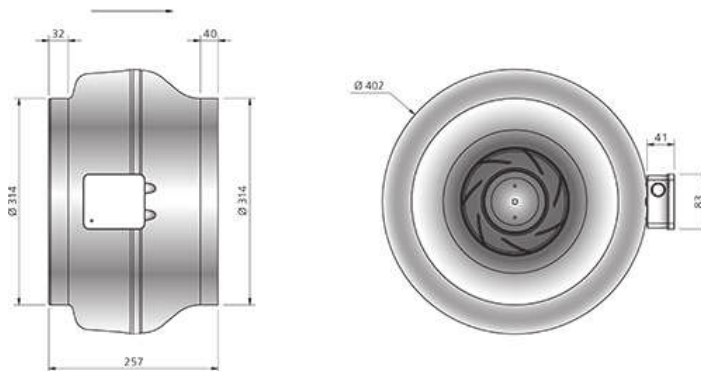
7000314  
CK 315 B aut tp ErP

Voltage	230 V
Phase	1 ~
Frequency	50 Hz
Optional frequency	60 Hz
Power	197 W
Current	0.87 A
Current when speed controlled	0.97 A
Speed	2660 r.p.m.
Max. temperature of transported air	80 °C
Max. temperature of transported air when speed controlled	70 °C
Sound pressure level at 3 m	47 dB(A)
Weight	6.1 kg
Enclosure class	44 IP
Insulation class, motor	F
Capacitor	6 µF
Duct connection	315 mm
Max. flow	1462 m³/h
Max. pressure	632 Pa
Voltage range	220-240 V

## SOUND DATA

	Flow (m³/h)	L <sub>WA</sub> tot dB (A)	63Hz	125Hz	250Hz	500Hz	1KHz	2KHz	4KHz	8KHz
5. Surrounding Lw dB(A) 230V	878	54	33	41	45	46	48	49	46	37
5. Outlet Lw dB(A) 230V	878	78	56	60	72	67	71	72	70	65
5. Inlet Lw dB(A) 230V	878	76	56	59	66	66	67	70	70	64
4. Inlet Lw dB(A) 165V	767	72	50	56	64	64	65	66	66	60
3. Inlet Lw dB(A) 135V	605	67	46	54	58	60	59	60	59	51
2. Inlet Lw dB(A) 110V	490	56	40	46	49	51	48	48	44	33
1. Inlet Lw dB(A) 80V	284	48	35	41	42	42	40	37	31	27

## DIMENSIONS





# CK 315 C ErP

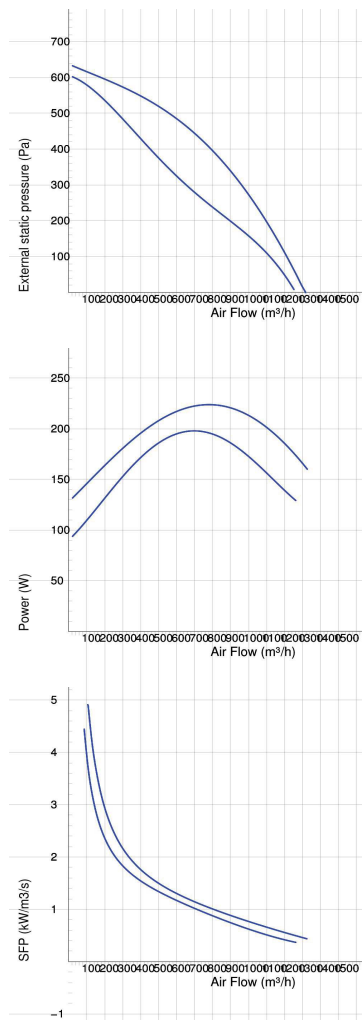
CK

- Duct fan with circular connections.
- Proven performance and reliability.
- Compact with high capacity and efficiency.
- Low sound levels.
- Operational in both 50 and 60 Hz.
- Impeller with backward curved blades.
- The external rotor motor has maintenance-free sealed ball-bearings.
- Integrated motor protection.
- Junction box has enclosure class IP 54.
- For speed control a transformer or electronic speed controller can be connected.
- Fan housing is manufactured from galvanized sheet steel.
- The fan is intended to be installed in a duct system.
- A duct connected fan can be installed outside or in damp environments.
- Easy installation in any position.

## Accessories

- VRTE 1
- VRDE 1,5
- MB
- MK 315
- BSV 315
- RSK 315
- YG 315
- VK 315
- FLK 315
- FLF 315
- LDC 315

This product cannot be speed controlled below 165 V.



## Voltage steps

1	2
165V	230V

## TECHNICAL DATA

	7000072 CK 315 C aut tp ErP	7000027 CK 315 C man tp ErP
Voltage	230 V	230 V
Phase	1 ~	1 ~
Frequency	50 Hz	50 Hz
Optional frequency	60 Hz	60 Hz
Power	224 W	224 W
Current	0.97 A	0.97 A
Current when speed controlled	1.2 A	1.2 A
Speed	2770 r.p.m.	2770 r.p.m.
Max. temperature of transported air	80 °C	80 °C
Max. temperature of transported air when speed controlled	75 °C	75 °C
Sound pressure level at 3 m	48 dB(A)	48 dB(A)
Weight	5.9 kg	5.9 kg
Enclosure class	44 IP	44 IP
Insulation class, motor	F	F
Capacitor	6 µF	6 µF
Duct connection	315 mm	315 mm
Max. flow	1325 m³/h	1325 m³/h
Max. pressure	632 Pa	632 Pa
Voltage range	220-240 V	220-240 V

## SOUND DATA

	Flow (m³/h)	L <sub>WA</sub> tot dB (A)	63Hz	125Hz	250Hz	500Hz	1KHz	2KHz	4KHz	8KHz
2. Surrounding Lw dB(A) 230V	1091	55	25	44	46	47	46	49	49	38
2. Outlet Lw dB(A) 230V	1091	78	59	62	71	67	68	71	72	67
2. Inlet Lw dB(A) 230V	1091	77	52	61	66	65	68	70	72	68
1. Inlet Lw dB(A) 165V	983	74	52	57	62	62	65	68	68	66

## DIMENSIONS



# CK 315 C ErP

