



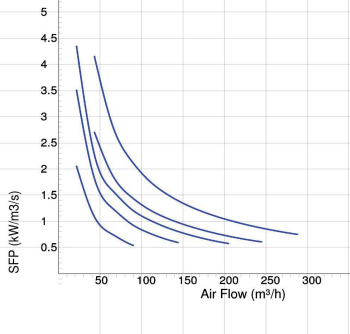
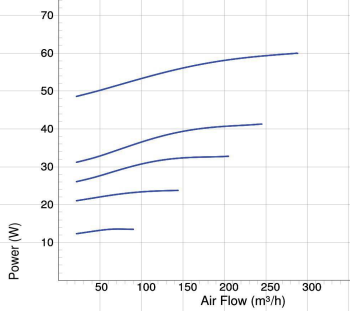
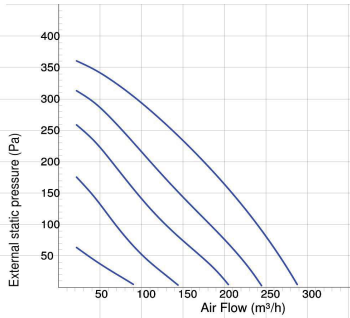
LPKB Silent 100 C1

LPKB Silent

- Low profile duct fan with circular connections.
- A small and useful duct fan which are perfect for spaces with minimum height clearance.
- Equipped with a built in silencer on the inlet side for an even lower sound level.
- High capacity and efficiency.
- Operational in both 50 and 60 Hz.
- Impeller with backward curved blades.
- The external rotor motor has maintenance-free sealed ball-bearings.
- Integrated motor protection.
- Junction box has enclosure class IP 54.
- For speed control a transformer or electronic speed controller can be connected.
- Fan housing is manufactured from galvanized sheet steel.
- Duct connections are equipped with rubber seals.
- The fan is intended to be installed in a duct system.
- A duct connected fan can be installed outside or in damp environments.
- The mounting brackets simplify installation in any position.
- To comply with the ErP 2018 regulation, a local demand controller must be used.

Accessories

- VRTE C
- VRDE 1,5
- VRS 0.5
- Local Demand Controller Kit
- MK 100
- BSV 100
- RSK 100
- YG 100
- VK 100
- FLK 100
- FLF 100
- LDC 100



Voltage steps

1	2	3	4	5
80V	110V	135V	165V	230V

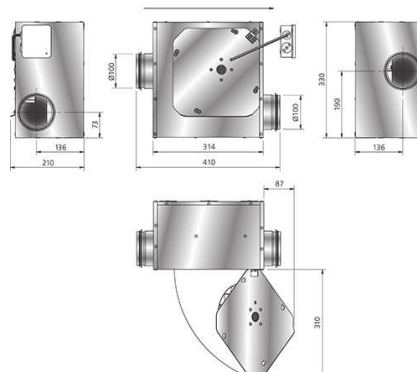
TECHNICAL DATA

	7540603 LPKB Silent 100 C1 aut tp	7540606 LPKB Silent 100 C1 man tp
Voltage	230 V	230 V
Phase	1 ~	1 ~
Frequency	50 Hz	50 Hz
Optional frequency	60 Hz	60 Hz
Power	61 W	61 W
Current	0.26 A	0.26 A
Speed	2560 r.p.m.	2560 r.p.m.
Max. temperature of transported air	80 °C	80 °C
Max. temperature of transported air when speed controlled	80 °C	80 °C
Sound pressure level at 3 m	48 dB(A)	48 dB(A)
Weight	5.9 kg	5.9 kg
Enclosure class	44 IP	44 IP
Insulation class, motor	F	F
Capacitor	2 µF	2 µF
Duct connection	100 mm mm	100 mm mm
Max. flow	292 m³/h	292 m³/h
Max. pressure	368 Pa	368 Pa
Voltage range	220-240 V	220-240 V

SOUND DATA

	Flow (m³/h)	L _{WA} tot dB (A)	63Hz	125Hz	250Hz	500Hz	1KHz	2KHz	4KHz	8KHz
5. Surrounding Lw dB(A) 230V	234	55	31	41	49	53	44	40	33	31
5. Outlet Lw dB(A) 230V	234	72	58	61	64	68	65	62	55	49
5. Inlet Lw dB(A) 230V	234	63	51	59	60	50	43	40	40	31
4. Inlet Lw dB(A) 165V	194	60	48	56	56	46	39	36	35	26
3. Inlet Lw dB(A) 135V	169	56	46	53	53	42	33	30	28	18
2. Inlet Lw dB(A) 110V	119	49	41	46	44	35	25	20	18	8
1. Inlet Lw dB(A) 80V	83	40	32	37	36	24	14	9	10	6

DIMENSIONS





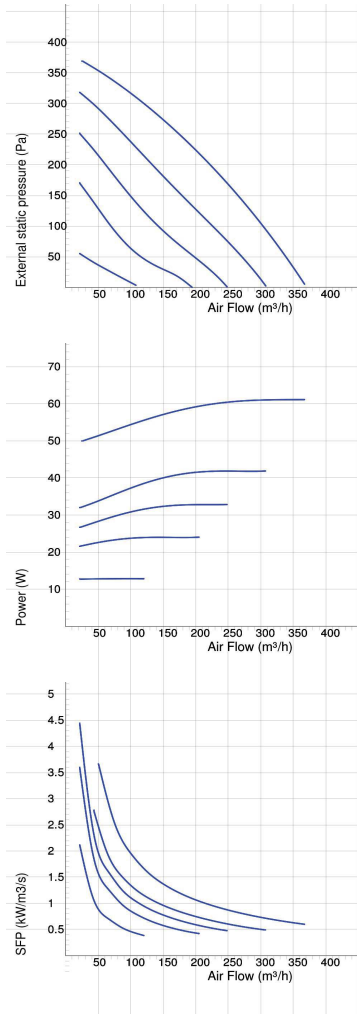
LPKB Silent 125 C1

LPKB Silent

- Low profile duct fan with circular connections.
- A small and useful duct fan which are perfect for spaces with minimum height clearance.
- Equipped with a built in silencer on the inlet side for an even lower sound level.
- High capacity and efficiency.
- Operational in both 50 and 60 Hz.
- Impeller with backward curved blades.
- The external rotor motor has maintenance-free sealed ball-bearings.
- Integrated motor protection.
- Junction box has enclosure class IP 54.
- For speed control a transformer or electronic speed controller can be connected.
- Fan housing is manufactured from galvanized sheet steel.
- Duct connections are equipped with rubber seals.
- The fan is intended to be installed in a duct system.
- A duct connected fan can be installed outside or in damp environments.
- The mounting brackets simplify installation in any position.
- To comply with the ErP 2018 regulation, a local demand controller must be used.

Accessories

- VRTE C
- VRDE 1,5
- VRS 0.5
- Local Demand Controller Kit
- MK 125
- BSV 125
- RSK 125
- YG 125
- VK 125
- FLK 125
- FLF 125
- LDC 125



Voltage steps

1	2	3	4	5
80V	110V	135V	165V	230V

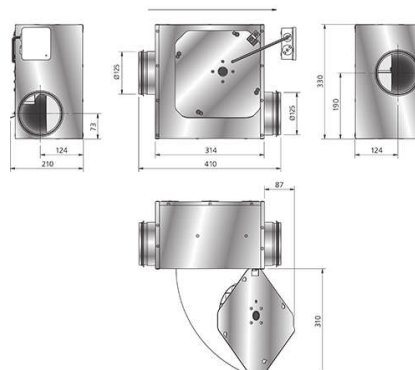
TECHNICAL DATA

	7540621 LPKB Silent 125 C1 aut tp	7540623 LPKB Silent 125 C1 man tp
Voltage	230 V	230 V
Phase	1 ~	1 ~
Frequency	50 Hz	50 Hz
Optional frequency	60 Hz	60 Hz
Power	61 W	61 W
Current	0.26 A	0.26 A
Speed	2570 r.p.m.	2570 r.p.m.
Max. temperature of transported air	80 °C	80 °C
Max. temperature of transported air when speed controlled	80 °C	80 °C
Sound pressure level at 3 m	47 dB(A)	47 dB(A)
Weight	5.9 kg	5.9 kg
Enclosure class	44 IP	44 IP
Insulation class, motor	F	F
Capacitor	2 µF	2 µF
Duct connection	125 mm	125 mm
Max. flow	396 m³/h	396 m³/h
Max. pressure	381 Pa	381 Pa
Voltage range	220-240 V	220-240 V

SOUND DATA

	Flow (m³/h)	L _{WA} tot dB (A)	63Hz	125Hz	250Hz	500Hz	1KHz	2KHz	4KHz	8KHz
5. Surrounding Lw dB(A) 230V	281	54	28	39	49	52	43	39	33	31
5. Outlet Lw dB(A) 230V	281	72	57	62	65	68	64	61	57	49
5. Inlet Lw dB(A) 230V	281	64	51	59	60	53	44	44	43	36
4. Inlet Lw dB(A) 165V	238	61	47	56	58	49	40	39	37	29
3. Inlet Lw dB(A) 135V	191	56	44	52	53	44	35	33	30	21
2. Inlet Lw dB(A) 110V	158	49	38	47	44	37	27	23	19	9
1. Inlet Lw dB(A) 80V	97	42	29	41	36	28	15	10	7	5

DIMENSIONS





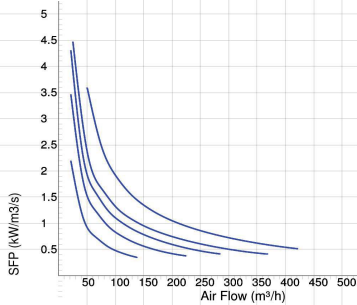
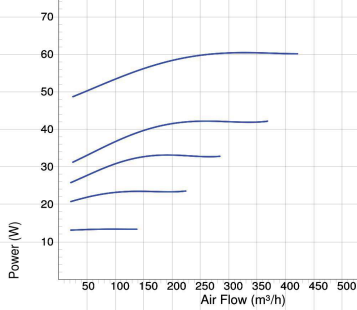
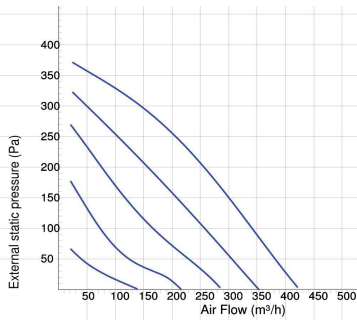
LPKB Silent 160 B1

LPKB Silent

- Low profile duct fan with circular connections.
- A small and useful duct fan which are perfect for spaces with minimum height clearance.
- Equipped with a built in silencer on the inlet side for an even lower sound level.
- High capacity and efficiency.
- Operational in both 50 and 60 Hz.
- Impeller with backward curved blades.
- The external rotor motor has maintenance-free sealed ball-bearings.
- Integrated motor protection.
- Junction box has enclosure class IP 54.
- For speed control a transformer or electronic speed controller can be connected.
- Fan housing is manufactured from galvanized sheet steel.
- Duct connections are equipped with rubber seals.
- The fan is intended to be installed in a duct system.
- A duct connected fan can be installed outside or in damp environments.
- The mounting brackets simplify installation in any position.

Accessories

- VRTE 1
- VRDE 1,5
- VRS 0.5
- MK 160
- BSV 160
- RSK 160
- YG 160
- VK 160
- FLK 160
- FLF 160
- LDC 160



Voltage steps

1	2	3	4	5
80V	110V	135V	165V	230V

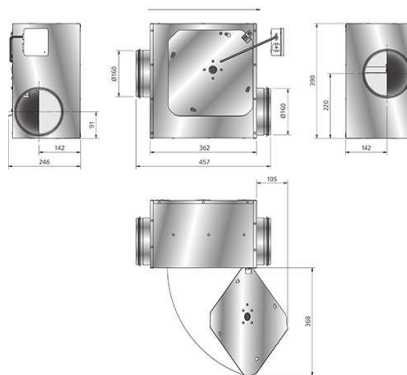
TECHNICAL DATA

	7540641 LPKB Silent 160 B1 aut tp	7540645 LPKB Silent 160 B1 man tp
Voltage	230 V	230 V
Phase	1 ~	1 ~
Frequency	50 Hz	50 Hz
Optional frequency	60 Hz	60 Hz
Power	61 W	61 W
Current	0.26 A	0.26 A
Speed	2560 r.p.m.	2560 r.p.m.
Max. temperature of transported air	80 °C	80 °C
Max. temperature of transported air when speed controlled	80 °C	80 °C
Sound pressure level at 3 m	45 dB(A)	45 dB(A)
Weight	7.6 kg	7.6 kg
Enclosure class	44 IP	44 IP
Insulation class, motor	F	F
Capacitor	2 µF	2 µF
Duct connection	160 mm	160 mm
Max. flow	436 m³/h	436 m³/h
Max. pressure	385 Pa	385 Pa
Voltage range	220-240 V	220-240 V

SOUND DATA

	Flow (m³/h)	L _{WA} tot dB (A)	63Hz	125Hz	250Hz	500Hz	1KHz	2KHz	4KHz	8KHz
5. Surrounding Lw dB(A) 230V	288	52	27	39	47	50	41	37	32	31
5. Outlet Lw dB(A) 230V	288	70	56	60	66	66	59	56	56	48
5. Inlet Lw dB(A) 230V	288	64	48	59	61	50	40	45	44	38
4. Inlet Lw dB(A) 165V	245	61	46	55	59	46	35	41	38	32
3. Inlet Lw dB(A) 135V	202	54	41	50	51	40	29	34	30	22
2. Inlet Lw dB(A) 110V	151	48	35	45	43	33	22	24	19	10
1. Inlet Lw dB(A) 80V	94	40	29	38	34	22	10	10	7	5

DIMENSIONS





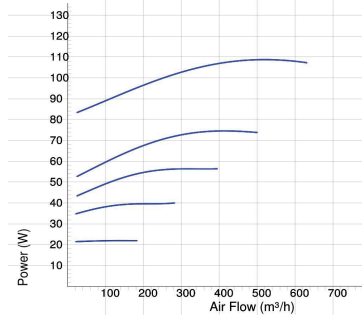
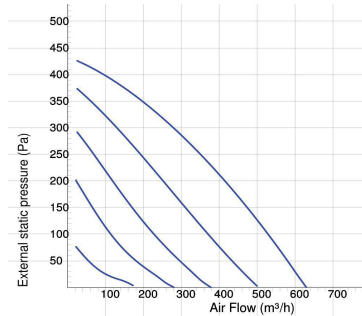
LPKB Silent 160 C1

LPKB Silent

- Low profile duct fan with circular connections.
- A small and useful duct fan which are perfect for spaces with minimum height clearance.
- Equipped with a built in silencer on the inlet side for an even lower sound level.
- High capacity and efficiency.
- Operational in both 50 and 60 Hz.
- Impeller with backward curved blades.
- The external rotor motor has maintenance-free sealed ball-bearings.
- Integrated motor protection.
- Junction box has enclosure class IP 54.
- For speed control a transformer or electronic speed controller can be connected.
- Fan housing is manufactured from galvanized sheet steel.
- Duct connections are equipped with rubber seals.
- The fan is intended to be installed in a duct system.
- A duct connected fan can be installed outside or in damp environments.
- The mounting brackets simplify installation in any position.
- To comply with the ErP 2018 regulation, a local demand controller must be used.

Accessories

- VRTE C
- VRDE 1,5
- VRS 0.5
- Local Demand Controller Kit
- MK 160
- BSV 160
- RSK 160
- YG 160
- VK 160
- FLK 160
- FLF 160
- LDC 160



Voltage steps

1	2	3	4	5
80V	110V	135V	165V	230V

TECHNICAL DATA

	7540643 LPKB Silent 160 C1 aut tp	7540647 LPKB Silent 160 C1 man tp
Power 2	69 W	69 W
Speed 2	1530 r.p.m.	1530 r.p.m.
Voltage	230 V	230 V
Phase	1 ~	1 ~
Frequency	50 Hz	50 Hz
Optional frequency	60 Hz	60 Hz
Power	108 W	108 W
Current	0.47 A	0.47 A
Current 2	0.30 A	0.30 A
Speed	2520 r.p.m.	2520 r.p.m.
Max. temperature of transported air	75 °C	75 °C
Max. temperature of transported air when speed controlled	75 °C	75 °C
Sound pressure level at 3 m	51 dB(A)	51 dB(A)
Weight	7.8 kg	7.8 kg
Enclosure class	44 IP	44 IP
Insulation class, motor	F	F
Capacitor	3 µF	3 µF
Duct connection	160 mm	160 mm
Max. flow	670 m³/h	670 m³/h
Max. pressure	436 Pa	436 Pa
Voltage range	220-240 V	220-240 V

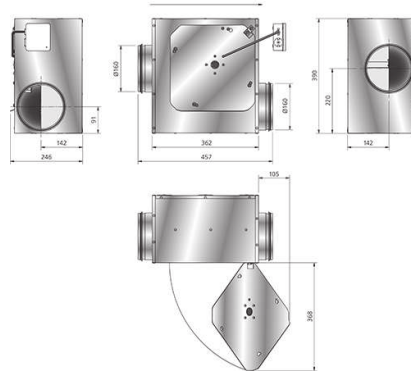
SOUND DATA

	Flow (m³/h)	L_{WA} tot dB (A)	63Hz	125Hz	250Hz	500Hz	1KHz	2KHz	4KHz	8KHz
5. Surrounding Lw dB(A) 230V	378	58	31	41	53	56	46	44	38	31
5. Outlet Lw dB(A) 230V	378	75	58	62	67	73	66	63	63	51
5. Inlet Lw dB(A) 230V	378	67	51	61	64	58	50	47	48	36
4. Inlet Lw dB(A) 165V	302	63	48	57	60	54	45	42	41	28
3. Inlet Lw dB(A) 135V	227	58	44	54	55	47	39	35	33	19
2. Inlet Lw dB(A) 110V	169	53	38	50	48	40	32	26	22	8
1. Inlet Lw dB(A) 80V	101	43	32	41	38	30	22	13	8	5

DIMENSIONS



LPKB Silent 160 C1





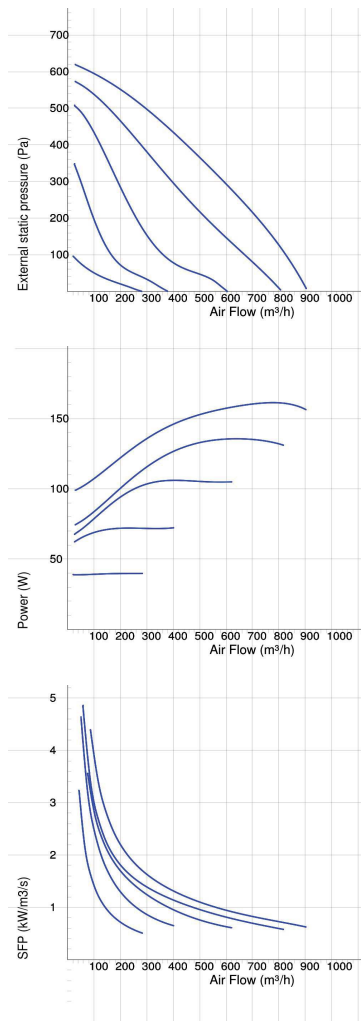
LPKB Silent 200 C1 ErP

LPKB Silent

- Low profile duct fan with circular connections.
- A small and useful duct fan which are perfect for spaces with minimum height clearance.
- Equipped with a built in silencer on the inlet side for an even lower sound level.
- High capacity and efficiency.
- Operational in both 50 and 60 Hz.
- Impeller with backward curved blades.
- The external rotor motor has maintenance-free sealed ball-bearings.
- Integrated motor protection.
- Junction box has enclosure class IP 54.
- For speed control a transformer or electronic speed controller can be connected.
- Fan housing is manufactured from galvanized sheet steel.
- Duct connections are equipped with rubber seals.
- The fan is intended to be installed in a duct system.
- A duct connected fan can be installed outside or in damp environments.
- The mounting brackets simplify installation in any position.

Accessories

- VRTE C
- VRDE 1,5
- VRS 1.0
- MK 200
- BSV 200
- RSK 200
- YG 200
- VK 200
- FLK 200
- FLF 200
- LDC 200



Voltage steps

1	2	3	4	5
80V	110V	135V	165V	230V

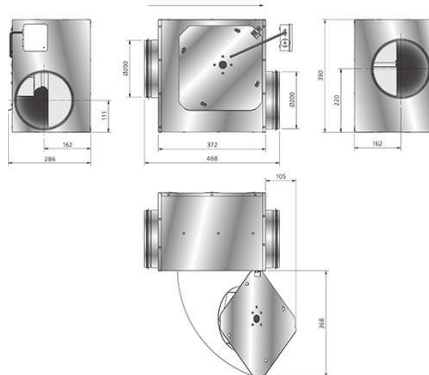
TECHNICAL DATA

	7540668 LPKB Silent 200 C1 ErP Aut	7540670 LPKB Silent 200 C1 ErP Man
Voltage	230 V	230 V
Phase	1 ~	1 ~
Frequency	50 Hz	50 Hz
Optional frequency	60 Hz	60 Hz
Power	163 W	163 W
Current	0.71 A	0.71 A
Current when speed controlled	0.83 A	0.83 A
Speed	2710 r.p.m.	2710 r.p.m.
Max. temperature of transported air	80 °C	80 °C
Max. temperature of transported air when speed controlled	65 °C	65 °C
Sound pressure level at 3 m	56 dB(A)	56 dB(A)
Weight	9.2 kg	9.2 kg
Enclosure class	44 IP	44 IP
Insulation class, motor	F	F
Capacitor	5 µF	5 µF
Duct connection	200 mm mm	200 mm mm
Max. flow	907 m³/h	907 m³/h
Max. pressure	630 Pa	630 Pa
Voltage range	220-240 V	220-240 V

SOUND DATA

	Flow (m³/h)	L _{WA} tot dB (A)	63Hz	125Hz	250Hz	500Hz	1KHz	2KHz	4KHz	8KHz
5. Surrounding Lw dB(A) 230V	684	63	32	45	56	61	50	46	38	35
5. Outlet Lw dB(A) 230V	684	81	66	68	74	78	72	70	66	61
5. Inlet Lw dB(A) 230V	684	71	64	66	67	61	54	49	49	46
4. Inlet Lw dB(A) 165V	590	68	54	62	65	56	49	43	44	40
3. Inlet Lw dB(A) 135V	414	64	50	61	60	46	38	34	35	22
2. Inlet Lw dB(A) 110V	274	61	48	61	49	37	28	26	19	16
1. Inlet Lw dB(A) 80V	176	56	40	55	41	29	18	10	7	5

DIMENSIONS





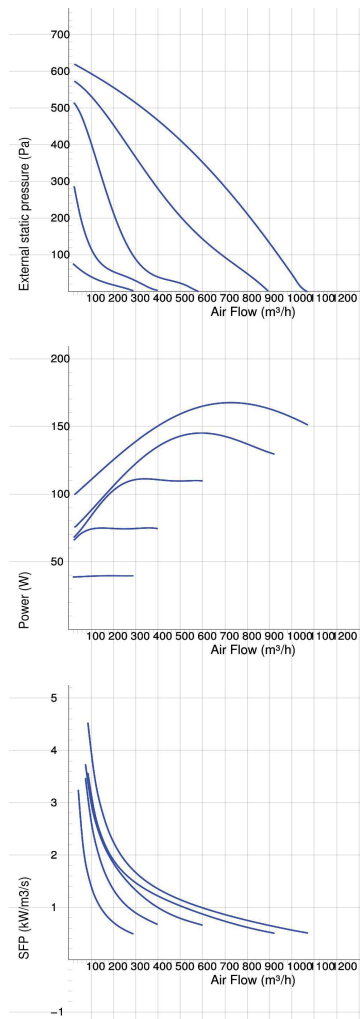
LPKB Silent 250 D1 ErP

LPKB Silent

- Low profile duct fan with circular connections.
- A small and useful duct fan which are perfect for spaces with minimum height clearance.
- Equipped with a built in silencer on the inlet side for an even lower sound level.
- High capacity and efficiency.
- Operational in both 50 and 60 Hz.
- Impeller with backward curved blades.
- The external rotor motor has maintenance-free sealed ball-bearings.
- Integrated motor protection.
- Junction box has enclosure class IP 54.
- For speed control a transformer or electronic speed controller can be connected.
- Fan housing is manufactured from galvanized sheet steel.
- Duct connections are equipped with rubber seals.
- The fan is intended to be installed in a duct system.
- A duct connected fan can be installed outside or in damp environments.
- The mounting brackets simplify installation in any position.

Accessories

- VRTE 1
- VRDE 1,5
- VRS 1.0
- MK 250
- BSV 250
- RSK 250
- YG 250
- VK 250
- FLK 250
- FLF 250
- LDC 250



Voltage steps

1	2	3	4	5
80V	110V	135V	165V	230V

TECHNICAL DATA

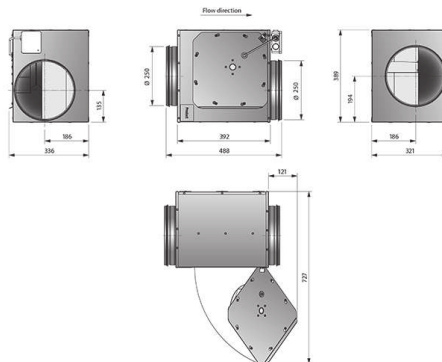
7540705 LPKB Silent 250 D1 ErP

Voltage	230 V
Phase	1 ~
Frequency	50 Hz
Optional frequency	60 Hz
Power	167 W
Current	0.73 A
Current when speed controlled	0.89 A
Speed	2690 r.p.m.
Max. temperature of transported air	80 °C
Max. temperature of transported air when speed controlled	65 °C
Sound pressure level at 3 m	51 dB(A)
Weight	10.2 kg
Enclosure class	44 IP
Insulation class, motor	F
Capacitor	5 µF
Duct connection	250 mm
Max. flow	1051 m³/h
Max. pressure	628 Pa
Voltage range	220-240 V

SOUND DATA

	Flow (m³/h)	L _{WA} tot dB (A)	63Hz	125Hz	250Hz	500Hz	1KHz	2KHz	4KHz	8KHz
5. Surrounding Lw dB(A) 230V	673	58	32	43	54	53	50	45	43	37
5. Outlet Lw dB(A) 230V	673	78	61	61	75	72	69	69	64	60
5. Inlet Lw dB(A) 230V	673	69	58	61	67	54	55	56	54	50
4. Inlet Lw dB(A) 165V	529	64	52	59	61	48	48	49	48	40
3. Inlet Lw dB(A) 135V	324	64	45	63	49	39	36	41	34	23
2. Inlet Lw dB(A) 110V	259	56	41	56	41	32	28	28	19	17
1. Inlet Lw dB(A) 80V	187	51	38	51	33	21	17	15	15	14

DIMENSIONS





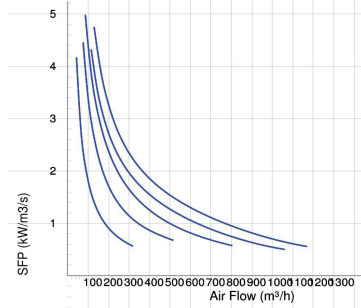
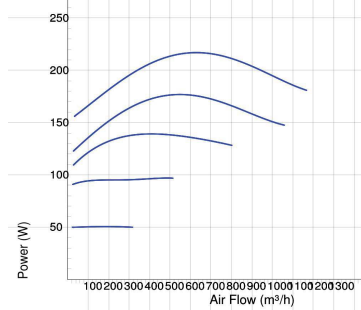
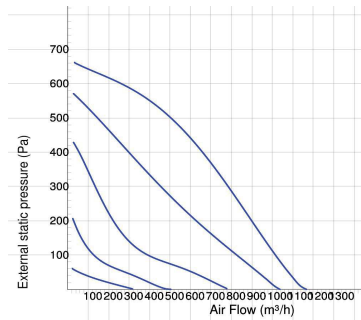
LPKB Silent 250 E1 ErP

LPKB Silent

- Low profile duct fan with circular connections.
- A small and useful duct fan which are perfect for spaces with minimum height clearance.
- Equipped with a built in silencer on the inlet side for an even lower sound level.
- High capacity and efficiency.
- Operational in both 50 and 60 Hz.
- Impeller with backward curved blades.
- The external rotor motor has maintenance-free sealed ball-bearings.
- Integrated motor protection.
- Junction box has enclosure class IP 54.
- For speed control a transformer or electronic speed controller can be connected.
- Fan housing is manufactured from galvanized sheet steel.
- Duct connections are equipped with rubber seals.
- The fan is intended to be installed in a duct system.
- A duct connected fan can be installed outside or in damp environments.
- The mounting brackets simplify installation in any position.

Accessories

- VRTE 1
- VRDE 1,5
- VRS 2.0
- MK 250
- BSV 250
- RSK 250
- YG 250
- VK 250
- FLK 250
- FLF 250
- LDC 250



Voltage steps

1	2	3	4	5
80V	110V	135V	165V	230V

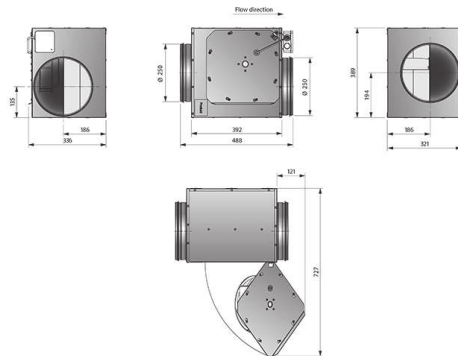
TECHNICAL DATA

7540706 LPKB Silent 250 E1 ErP	
Voltage	230 V
Phase	1 ~
Frequency	50 Hz
Optional frequency	60 Hz
Power	217 W
Current	0.94 A
Current when speed controlled	1.08 A
Speed	2660 r.p.m.
Max. temperature of transported air	80 °C
Sound pressure level at 3 m	50 dB(A)
Weight	10.7 kg
Enclosure class	44 IP
Insulation class, motor	F
Capacitor	6 µF
Duct connection	250 mm
Max. flow	1152 m³/h
Max. pressure	662 Pa
Voltage range	220-240 V

SOUND DATA

	Flow (m³/h)	L_{pA} tot dB (A)	63Hz	125Hz	250Hz	500Hz	1KHz	2KHz	4KHz	8KHz
5. Surrounding Lw dB(A) 230V	659	57	32	42	53	52	48	47	46	40
5. Outlet Lw dB(A) 230V	659	77	59	62	73	72	68	69	65	58
5. Inlet Lw dB(A) 230V	659	69	60	60	66	56	56	57	54	49
4. Inlet Lw dB(A) 165V	518	65	54	60	62	50	50	51	46	40
3. Inlet Lw dB(A) 135V	349	61	48	58	56	42	41	41	35	28
2. Inlet Lw dB(A) 110V	259	53	41	52	44	33	31	28	22	20
1. Inlet Lw dB(A) 80V	166	51	37	51	35	23	19	19	15	16

DIMENSIONS





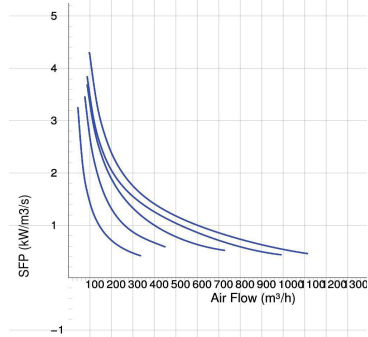
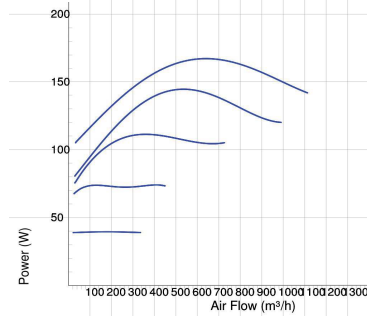
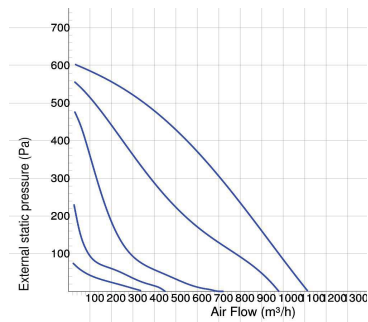
LPKB Silent 315 B1 ErP

LPKB Silent

- Low profile duct fan with circular connections.
- A small and useful duct fan which are perfect for spaces with minimum height clearance.
- Equipped with a built in silencer on the inlet side for an even lower sound level.
- High capacity and efficiency.
- Operational in both 50 and 60 Hz.
- Impeller with backward curved blades.
- The external rotor motor has maintenance-free sealed ball-bearings.
- Integrated motor protection.
- Junction box has enclosure class IP 54.
- For speed control a transformer or electronic speed controller can be connected.
- Fan housing is manufactured from galvanized sheet steel.
- Duct connections are equipped with rubber seals.
- The fan is intended to be installed in a duct system.
- A duct connected fan can be installed outside or in damp environments.
- The mounting brackets simplify installation in any position.

Accessories

- VRTE 1
- VRDE 1,5
- VRS 1.0
- MK 315
- BSV 315
- RSK 315
- YG 315
- VK 315
- FLK 315
- FLF 315
- LDC 315



Voltage steps

1	2	3	4	5
80V	110V	135V	165V	230V

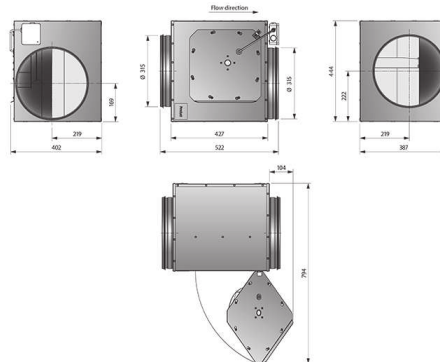
TECHNICAL DATA

7540707 LPKB Silent 315 B1 ErP	
Voltage	230 V
Phase	1 ~
Frequency	50 Hz
Optional frequency	60 Hz
Power	168 W
Current	0.73 A
Current when speed controlled	0.86 A
Speed	2690 r.p.m.
Max. temperature of transported air	80 °C
Max. temperature of transported air when speed controlled	65 °C
Sound pressure level at 3 m	48 dB(A)
Weight	14.2 kg
Enclosure class	44 IP
Insulation class, motor	F
Capacitor	5 µF
Duct connection	315 mm
Max. flow	1116 m³/h
Max. pressure	612 Pa
Voltage range	220-240 V

SOUND DATA

	Flow (m³/h)	L _{WA} tot dB (A)	63Hz	125Hz	250Hz	500Hz	1KHz	2KHz	4KHz	8KHz
5. Surrounding Lw dB(A) 230V	634	55	39	42	52	51	44	43	41	36
5. Outlet Lw dB(A) 230V	634	75	60	62	71	68	66	67	63	59
5. Inlet Lw dB(A) 230V	634	66	59	59	62	50	55	57	55	51
4. Inlet Lw dB(A) 165V	515	64	50	61	58	45	49	51	48	43
3. Inlet Lw dB(A) 135V	338	62	46	62	46	37	38	40	36	26
2. Inlet Lw dB(A) 110V	284	58	40	58	40	29	31	29	23	18
1. Inlet Lw dB(A) 80V	223	54	35	53	33	20	18	15	14	14

DIMENSIONS





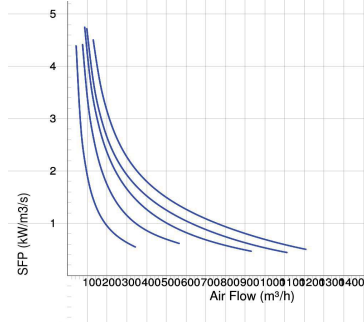
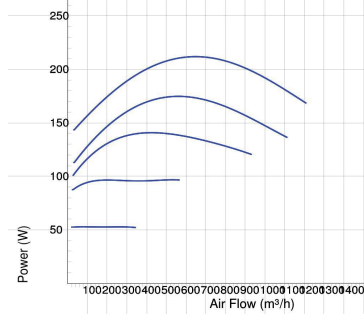
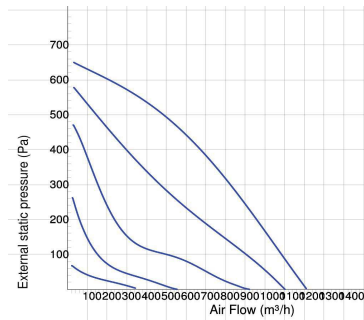
LPKB Silent 315 D1 ErP

LPKB Silent

- Low profile duct fan with circular connections.
- A small and useful duct fan which are perfect for spaces with minimum height clearance.
- Equipped with a built in silencer on the inlet side for an even lower sound level.
- High capacity and efficiency.
- Operational in both 50 and 60 Hz.
- Impeller with backward curved blades.
- The external rotor motor has maintenance-free sealed ball-bearings.
- Integrated motor protection.
- Junction box has enclosure class IP 54.
- For speed control a transformer or electronic speed controller can be connected.
- Fan housing is manufactured from galvanized sheet steel.
- Duct connections are equipped with rubber seals.
- The fan is intended to be installed in a duct system.
- A duct connected fan can be installed outside or in damp environments.
- The mounting brackets simplify installation in any position.

Accessories

- VRTE 1
- VRDE 1,5
- VRS 2.0
- MK 315
- BSV 315
- RSK 315
- YG 315
- VK 315
- FLK 315
- FLF 315
- LDC 315



Voltage steps

1	2	3	4	5
80V	110V	135V	165V	230V

TECHNICAL DATA

7540708 LPKB Silent 315 D1 ErP	
Voltage	230 V
Phase	1 ~
Frequency	50 Hz
Optional frequency	60 Hz
Power	212 W
Current	0.93 A
Current when speed controlled	1.06 A
Speed	2660 r.p.m.
Max. temperature of transported air	80 °C
Sound pressure level at 3 m	49 dB(A)
Weight	14.6 kg
Enclosure class	44 IP
Insulation class, motor	F
Capacitor	6 µF
Duct connection	315 mm
Max. flow	1213 m³/h
Max. pressure	655 Pa
Voltage range	220-240 V

SOUND DATA

	Flow (m³/h)	L_{pWA} tot dB (A)	63Hz	125Hz	250Hz	500Hz	1KHz	2KHz	4KHz	8KHz
5. Surrounding Lw dB(A) 230V	677	56	35	39	52	51	45	43	42	37
5. Outlet Lw dB(A) 230V	677	75	57	62	70	69	65	68	64	58
5. Inlet Lw dB(A) 230V	677	67	56	59	64	51	56	58	54	48
4. Inlet Lw dB(A) 165V	547	65	52	60	61	46	51	54	48	42
3. Inlet Lw dB(A) 135V	396	63	46	60	60	39	42	43	37	30
2. Inlet Lw dB(A) 110V	302	58	43	58	42	32	32	30	24	20
1. Inlet Lw dB(A) 80V	227	50	36	50	34	20	20	20	15	15

DIMENSIONS

