



# IRB 125 B1

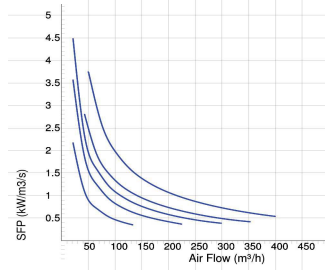
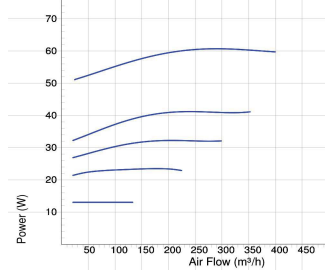
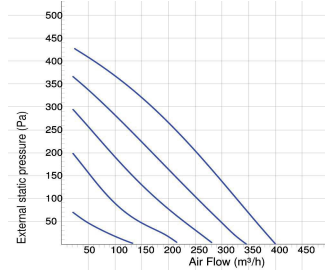


## IRB Circular

- Insulated duct fan with circular connections.
- Equipped with 50 mm of thermal and acoustic insulation makes it ideal for handling cold air.
- Designed for high pressure and long, complicated duct runs.
- The design prioritise functionality, durability and longevity.
- Operational in both 50 and 60 Hz.
- Impeller with backward curved blades.
- The external rotor motor has maintenance-free sealed ball-bearings.
- Integrated motor protection.
- Junction box has enclosure class IP 54.
- For speed control a transformer or electronic speed controller can be connected.
- The housing is manufactured from galvanized sheet steel.
- Duct connections are equipped with rubber seals.
- The fan is intended to be installed in a duct system.
- A duct connected fan can be installed outside or in damp environments.

## Accessories

- VRTE C
- VRDE 1,5
- VRS 0.5
- MB Universal
- MK 125
- BSV 125
- RSK 125
- YG 125
- VK 125
- FLK 125
- FLF 125
- LDC 125



### Voltage steps

1	2	3	4	5
80V	110V	135V	165V	230V

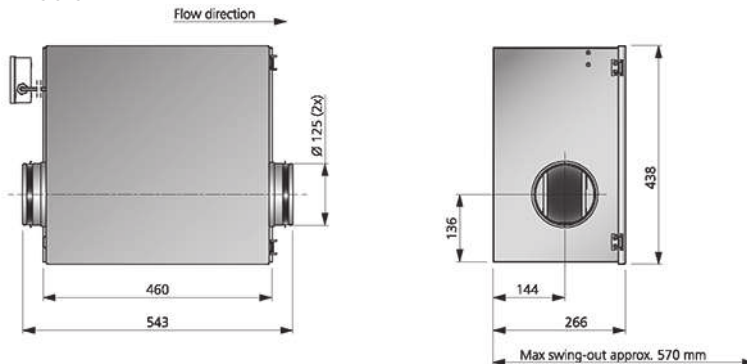
## TECHNICAL DATA

		7880041 IRB 125 B1
Voltage		230 V
Phase		1 ~
Frequency		50 Hz
Power		61 W
Current		0.26 A
Speed		2590 r.p.m.
Max. temperature of transported air		80 °C
Max. temperature of transported air when speed controlled		80 °C
Sound pressure level at 3 m		37 dB(A)
Weight		11.6 kg
Enclosure class		44 IP
Insulation class, motor		F
Capacitor		2 µF
Duct connection		125 mm
Max. flow		400 m³/h
Max. pressure		444 Pa
Voltage range		220-240 V

## SOUND DATA

	Flow (m³/h)	L <sub>WA</sub> tot dB (A)	63Hz	125Hz	250Hz	500Hz	1KHz	2KHz	4KHz	8KHz
5. Surrounding Lw dB(A) 230V	216	44	30	33	41	37	31	30	29	29
5. Outlet Lw dB(A) 230V	216	69	54	58	63	65	62	58	53	47
5. Inlet Lw dB(A) 230V	216	52	41	49	46	39	35	36	31	22
4. Inlet Lw dB(A) 165V	187	49	36	46	44	36	31	32	25	17
3. Inlet Lw dB(A) 135V	158	45	33	42	40	32	27	26	19	10
2. Inlet Lw dB(A) 110V	119	39	29	38	31	26	20	16	8	4
1. Inlet Lw dB(A) 80V	83	32	25	29	26	17	9	3	3	3

## DIMENSIONS





# IRB 160 B1

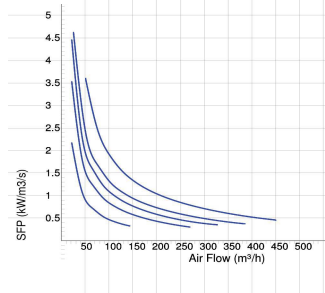
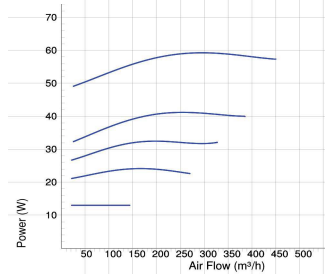
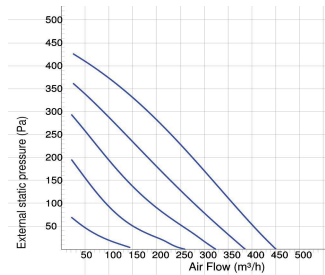


## IRB Circular

- Insulated duct fan with circular connections.
- Equipped with 50 mm of thermal and acoustic insulation makes it ideal for handling cold air.
- Designed for high pressure and long, complicated duct runs.
- The design prioritise functionality, durability and longevity.
- Operational in both 50 and 60 Hz.
- Impeller with backward curved blades.
- The external rotor motor has maintenance-free sealed ball-bearings.
- Integrated motor protection.
- Junction box has enclosure class IP 54.
- For speed control a transformer or electronic speed controller can be connected.
- The housing is manufactured from galvanized sheet steel.
- Duct connections are equipped with rubber seals.
- The fan is intended to be installed in a duct system.
- A duct connected fan can be installed outside or in damp environments.

## Accessories

- VRTE C
- VRDE 1,5
- VRS 0.5
- MB Universal
- MK 160
- BSV 160
- RSK 160
- YG 160
- VK 160
- FLK 160
- FLF 160
- LDC 160



### Voltage steps

1	2	3	4	5
80V	110V	135V	165V	230V

## TECHNICAL DATA

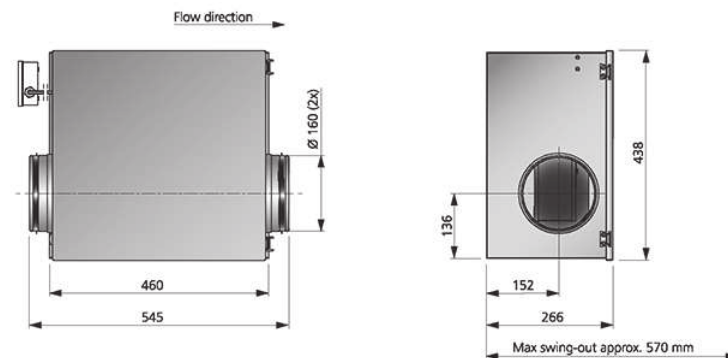
7880042  
IRB 160 B1

Voltage	230 V
Phase	1 ~
Frequency	50 Hz
Power	59 W
Current	0.26 A
Speed	2580 r.p.m.
Max. temperature of transported air	80 °C
Max. temperature of transported air when speed controlled	80 °C
Sound pressure level at 3 m	37 dB(A)
Weight	11.7 kg
Enclosure class	44 IP
Insulation class, motor	F
Capacitor	2 µF
Duct connection	160 mm
Max. flow	450 m³/h
Max. pressure	441 Pa
Voltage range	220-240 V

## SOUND DATA

	Flow (m³/h)	L <sub>WA</sub> tot dB (A)	63Hz	125Hz	250Hz	500Hz	1KHz	2KHz	4KHz	8KHz
5. Surrounding Lw dB(A) 230V	234	44	30	36	41	37	32	31	29	29
5. Outlet Lw dB(A) 230V	234	72	56	60	66	67	63	61	60	51
5. Inlet Lw dB(A) 230V	234	55	41	53	49	41	35	37	34	25
4. Inlet Lw dB(A) 165V	205	52	38	50	47	37	31	33	29	19
3. Inlet Lw dB(A) 135V	176	48	35	45	42	33	27	27	22	11
2. Inlet Lw dB(A) 110V	133	42	31	40	35	27	21	18	13	5
1. Inlet Lw dB(A) 80V	83	37	26	35	30	18	10	6	4	4

## DIMENSIONS





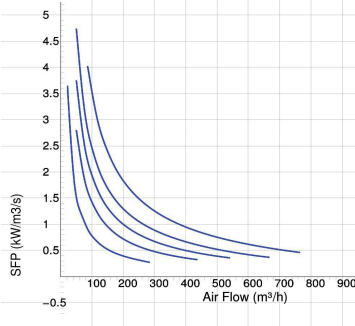
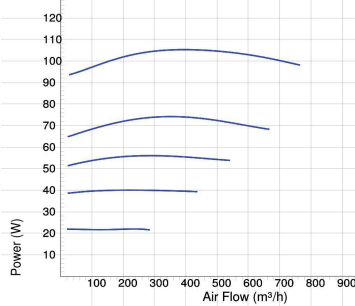
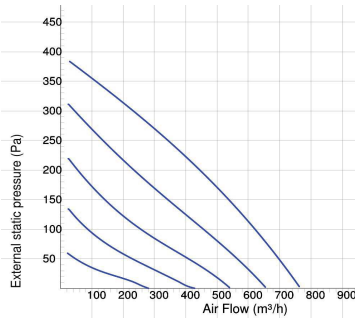
# IRB 200 A1

## IRB Circular

- Insulated duct fan with circular connections.
- Equipped with 50 mm of thermal and acoustic insulation makes it ideal for handling cold air.
- Designed for high pressure and long, complicated duct runs.
- The design prioritise functionality, durability and longevity.
- Impeller with backward curved blades.
- The external rotor motor has maintenance-free sealed ball-bearings.
- Integrated motor protection.
- Junction box has enclosure class IP 54.
- For speed control a transformer or electronic speed controller can be connected.
- The housing is manufactured from galvanized sheet steel.
- Duct connections are equipped with rubber seals.
- The fan is intended to be installed in a duct system.
- A duct connected fan can be installed outside or in damp environments.
- To comply with the ErP 2018 regulation, a local demand controller must be used.

## Accessories

- VRTE C
- VRDE 1,5
- VRS 0.5
- Local Demand Controller Kit
- MB Universal
- MK 200
- BSV 200
- RSK 200
- YG 200
- VK 200
- FLK 200
- FLF 200
- LDC 200



## Voltage steps

1	2	3	4	5
80V	110V	135V	165V	230V

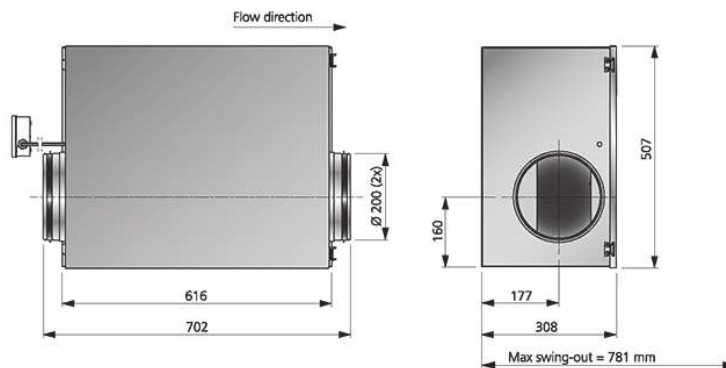
## TECHNICAL DATA

7880035 IRB 200 A1	
Voltage	230 V
Phase	1 ~
Frequency	50 Hz
Power	105 W
Current	0.46 A
Current when speed controlled	0.46 A
Speed	2520 r.p.m.
Max. temperature of transported air	75 °C
Max. temperature of transported air when speed controlled	75 °C
Sound pressure level at 3 m	45 dB(A)
Weight	19 kg
Enclosure class	44 IP
Insulation class, motor	F
Capacitor	3 µF
Duct connection	200 mm
Max. flow	767 m³/h
Max. pressure	394 Pa
Voltage range	220-240 V

## SOUND DATA

	Flow (m³/h)	$L_{wA}$ tot dB (A)	63Hz	125Hz	250Hz	500Hz	1KHz	2KHz	4KHz	8KHz
5. Surrounding Lw dB(A) 230V	562	52	31	38	51	40	36	36	29	28
5. Outlet Lw dB(A) 230V	562	69	53	60	65	61	57	60	56	49
5. Inlet Lw dB(A) 230V	562	62	51	59	58	50	42	41	39	33
4. Inlet Lw dB(A) 165V	475	60	48	56	57	44	37	36	33	27
3. Inlet Lw dB(A) 135V	342	57	44	52	54	39	31	30	26	18
2. Inlet Lw dB(A) 110V	263	50	40	48	42	31	24	25	14	7
1. Inlet Lw dB(A) 80V	162	47	33	47	33	21	14	10	5	5

## DIMENSIONS





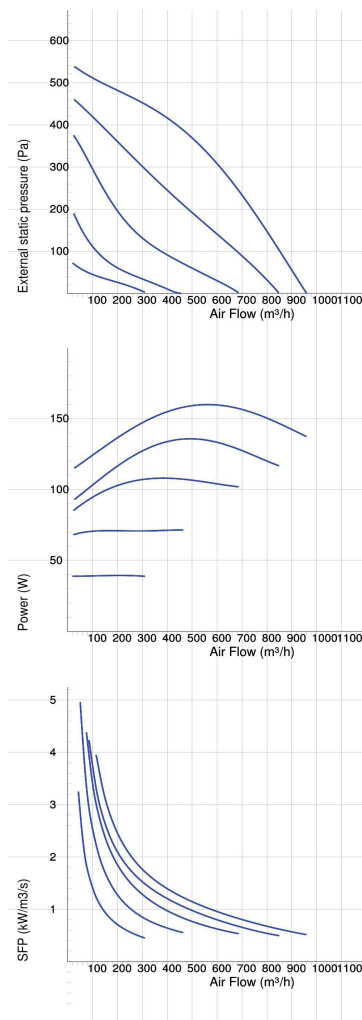
# IRB 200 B1 ErP

## IRB Circular

- Insulated duct fan with circular connections.
- Equipped with 50 mm of thermal and acoustic insulation makes it ideal for handling cold air.
- Designed for high pressure and long, complicated duct runs.
- The design prioritise functionality, durability and longevity.
- Impeller with backward curved blades.
- The external rotor motor has maintenance-free sealed ball-bearings.
- Integrated motor protection.
- Junction box has enclosure class IP 54.
- For speed control a transformer or electronic speed controller can be connected.
- The housing is manufactured from galvanized sheet steel.
- Duct connections are equipped with rubber seals.
- The fan is intended to be installed in a duct system.
- A duct connected fan can be installed outside or in damp environments.

## Accessories

- VRTE C
- VRDE 1,5
- VRS 1.0
- MB Universal
- MK 200
- BSV 200
- RSK 200
- YG 200
- VK 200
- FLK 200
- FLF 200
- LDC 200



### Voltage steps

1	2	3	4	5
80V	110V	135V	165V	230V

## TECHNICAL DATA

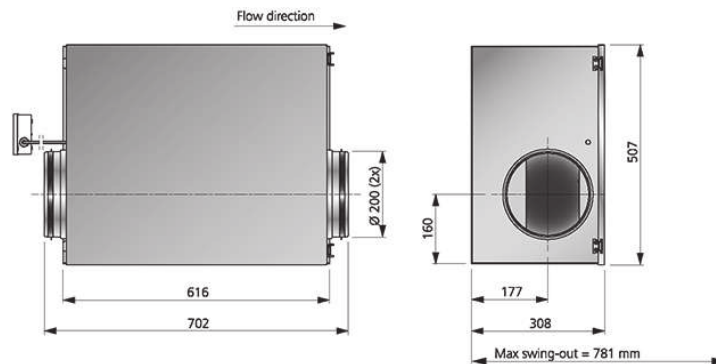
7880036  
IRB 200 B1 ErP

Voltage	230 V
Phase	1 ~
Frequency	50 Hz
Power	160 W
Current	0.7 A
Current when speed controlled	0.82 A
Speed	2700 r.p.m.
Max. temperature of transported air	80 °C
Max. temperature of transported air when speed controlled	65 °C
Sound pressure level at 3 m	48 dB(A)
Weight	19.7 kg
Enclosure class	44 IP
Insulation class, motor	F
Capacitor	5 µF
Duct connection	200 mm
Max. flow	958 m³/h
Max. pressure	543 Pa
Voltage range	220-240 V

## SOUND DATA

	Flow (m³/h)	$L_{wA}$ tot dB (A)	63Hz	125Hz	250Hz	500Hz	1KHz	2KHz	4KHz	8KHz
5. Surrounding Lw dB(A) 230V	709	55	36	42	53	48	40	37	32	29
5. Outlet Lw dB(A) 230V	709	73	61	63	69	66	63	62	58	60
5. Inlet Lw dB(A) 230V	709	66	54	60	62	57	48	41	40	39
4. Inlet Lw dB(A) 165V	572	64	50	58	63	51	41	35	35	34
3. Inlet Lw dB(A) 135V	446	58	45	53	56	40	30	25	32	20
2. Inlet Lw dB(A) 110V	270	54	44	54	41	29	21	23	19	5
1. Inlet Lw dB(A) 80V	209	52	37	52	33	21	12	8	4	4

## DIMENSIONS



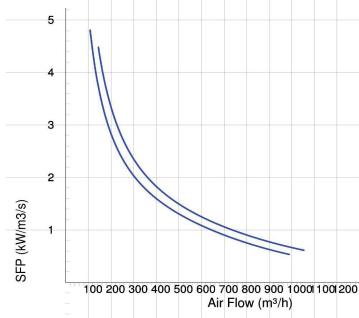
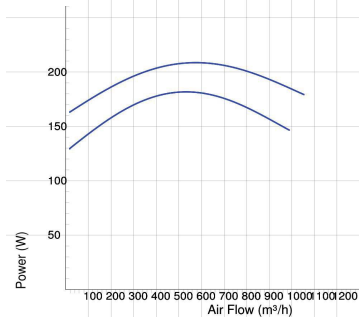
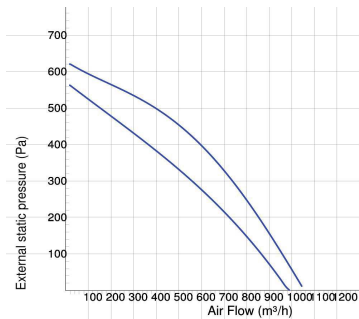


# IRB 200 E1 ErP

## IRB Circular

- Insulated duct fan with circular connections.
- Equipped with 50 mm of thermal and acoustic insulation makes it ideal for handling cold air.
- Designed for high pressure and long, complicated duct runs.
- The design prioritise functionality, durability and longevity.
- Operational in both 50 and 60 Hz.
- Impeller with backward curved blades.
- The external rotor motor has maintenance-free sealed ball-bearings.
- Integrated motor protection.
- Junction box has enclosure class IP 54.
- For speed control a transformer or electronic speed controller can be connected.
- The housing is manufactured from galvanized sheet steel.
- Duct connections are equipped with rubber seals.
- The fan is intended to be installed in a duct system.
- A duct connected fan can be installed outside or in damp environments.

This product cannot be speed controlled below 165 V.



### Voltage steps

1	2
165V	230V

## Accessories

- VRTE 1
- VRDE 1,5
- VRS 2.0
- MB Universal
- MK 200
- BSV 200
- RSK 200
- YG 200
- VK 200
- FLK 200
- FLF 200
- LDC 200

## TECHNICAL DATA

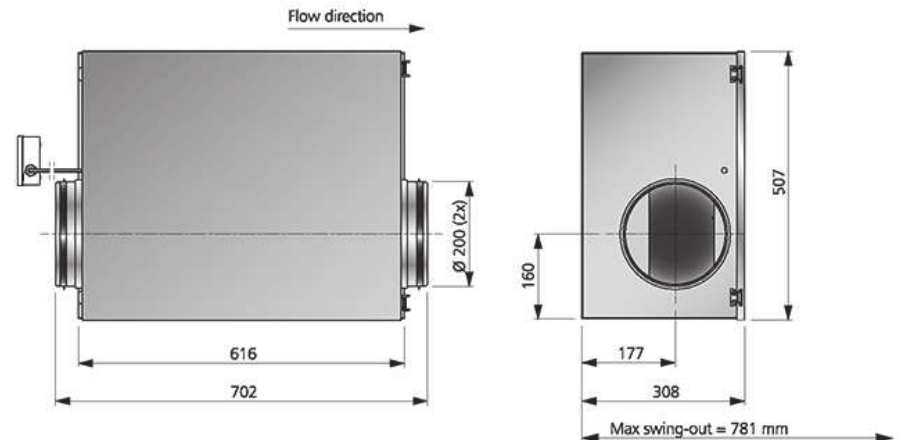
7880037  
IRB 200 E1 ErP

Voltage	230 V
Phase	1 ~
Frequency	50 Hz
Power	209 W
Current	0.91 A
Current when speed controlled	1.1 A
Speed	2790 r.p.m.
Max. temperature of transported air	80 °C
Max. temperature of transported air when speed controlled	75 °C
Sound pressure level at 3 m	49 dB(A)
Weight	20.2 kg
Enclosure class	44 IP
Insulation class, motor	F
Capacitor	6 µF
Duct connection	200 mm
Max. flow	1055 m³/h
Max. pressure	619 Pa
Voltage range	220-240 V

## SOUND DATA

	Flow (m³/h)	$L_{WA}$ tot dB (A)	63Hz	125Hz	250Hz	500Hz	1KHz	2KHz	4KHz	8KHz
2. Surrounding Lw dB(A) 230V	824	57	42	45	54	50	44	41	35	31
2. Outlet Lw dB(A) 230V	824	75	61	66	71	69	64	64	64	57
2. Inlet Lw dB(A) 230V	824	69	58	63	65	61	52	45	44	37
1. Inlet Lw dB(A) 165V	749	67	54	61	64	57	48	41	40	33

## DIMENSIONS





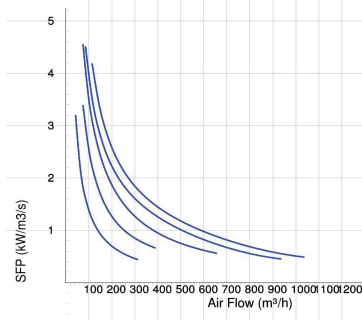
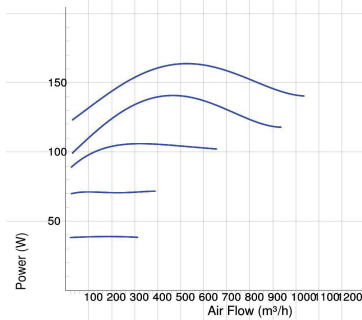
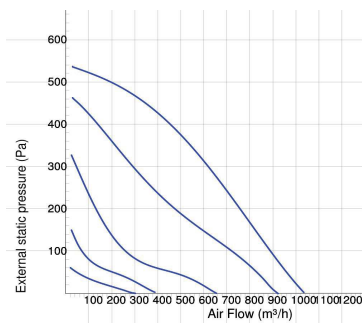
# IRB 250 B1 ErP

## IRB Circular

- Insulated duct fan with circular connections.
- Equipped with 50 mm of thermal and acoustic insulation makes it ideal for handling cold air.
- Designed for high pressure and long, complicated duct runs.
- The design prioritise functionality, durability and longevity.
- Impeller with backward curved blades.
- The external rotor motor has maintenance-free sealed ball-bearings.
- Integrated motor protection.
- Junction box has enclosure class IP 54.
- For speed control a transformer or electronic speed controller can be connected.
- The housing is manufactured from galvanized sheet steel.
- Duct connections are equipped with rubber seals.
- The fan is intended to be installed in a duct system.
- A duct connected fan can be installed outside or in damp environments.

## Accessories

- VRTE C
- VRDE 1,5
- VRS 1.0
- MB Universal
- MK 250
- BSV 250
- RSK 250
- YG 250
- VK 250
- FLK 250
- FLF 250
- LDC 250



### Voltage steps

1	2	3	4	5
80V	110V	135V	165V	230V

## TECHNICAL DATA

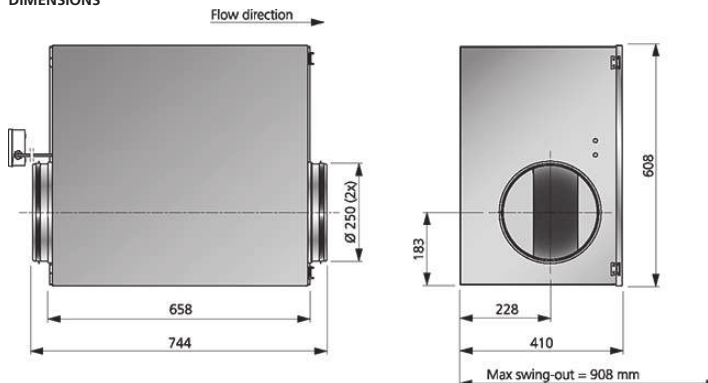
7880039  
IRB 250 B1 ErP

Voltage	230 V
Phase	1 ~
Frequency	50 Hz
Power	165 W
Current	0.71 A
Current when speed controlled	0.86 A
Speed	2690 r.p.m.
Max. temperature of transported air	80 °C
Max. temperature of transported air when speed controlled	65 °C
Sound pressure level at 3 m	46 dB(A)
Weight	33.4 kg
Enclosure class	44 IP
Insulation class, motor	F
Capacitor	5 µF
Duct connection	250 mm
Max. flow	1037 m³/h
Max. pressure	543 Pa
Voltage range	220-240 V

## SOUND DATA

	Flow (m³/h)	$L_{WA}$ tot dB (A)	63Hz	125Hz	250Hz	500Hz	1KHz	2KHz	4KHz	8KHz
5. Surrounding Lw dB(A) 230V	738	53	35	39	51	44	38	33	30	28
5. Outlet Lw dB(A) 230V	738	73	55	57	69	63	65	65	61	62
5. Inlet Lw dB(A) 230V	738	62	57	56	57	47	50	46	44	46
4. Inlet Lw dB(A) 165V	576	59	47	51	57	41	45	41	40	42
3. Inlet Lw dB(A) 135V	317	55	40	48	54	34	35	33	38	25
2. Inlet Lw dB(A) 110V	234	48	38	47	38	27	26	34	29	11
1. Inlet Lw dB(A) 80V	155	47	35	46	31	16	16	25	12	9

## DIMENSIONS





# IRB 250 E1 ErP



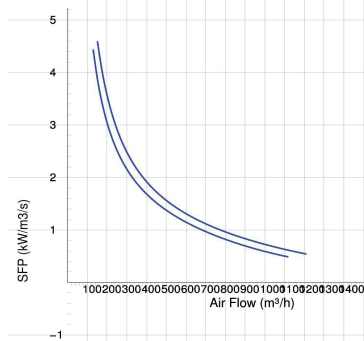
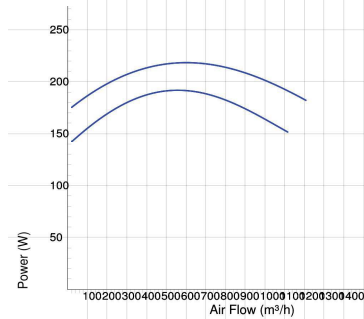
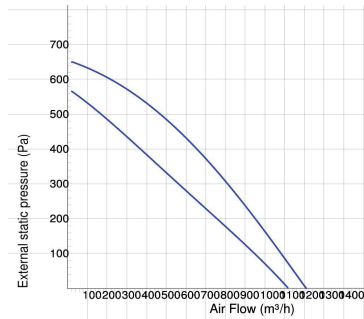
## IRB Circular

- Insulated duct fan with circular connections.
- Equipped with 50 mm of thermal and acoustic insulation makes it ideal for handling cold air.
- Designed for high pressure and long, complicated duct runs.
- The design prioritise functionality, durability and longevity.
- Operational in both 50 and 60 Hz.
- Impeller with backward curved blades.
- The external rotor motor has maintenance-free sealed ball-bearings.
- Integrated motor protection.
- Junction box has enclosure class IP 54.
- For speed control a transformer or electronic speed controller can be connected.
- The housing is manufactured from galvanized sheet steel.
- Duct connections are equipped with rubber seals.
- The fan is intended to be installed in a duct system.
- A duct connected fan can be installed outside or in damp environments.

## Accessories

- VRTE 1
- VRDE 1,5
- VRS 2.0
- MB Universal
- MK 250
- BSV 250
- RSK 250
- YG 250
- VK 250
- FLK 250
- FLF 250
- LDC 250

This product cannot be speed controlled below 165 V.



### Voltage steps

1	2
165V	230V

## TECHNICAL DATA

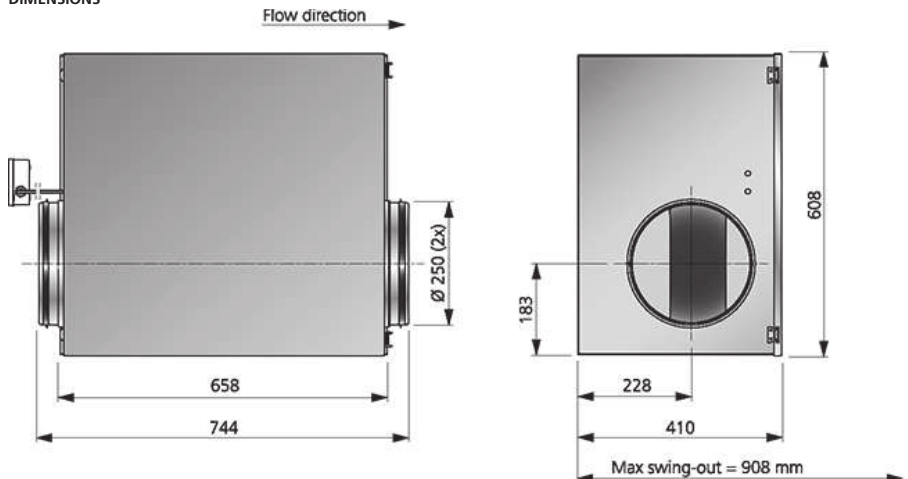
7880040  
IRB 250 E1 ErP

Voltage	230 V
Phase	1 ~
Frequency	50 Hz
Power	218 W
Current	0.95 A
Current when speed controlled	1.17 A
Speed	2770 r.p.m.
Max. temperature of transported air	80 °C
Max. temperature of transported air when speed controlled	75 °C
Sound pressure level at 3 m	45 dB(A)
Weight	33.9 kg
Enclosure class	44 IP
Insulation class, motor	F
Capacitor	6 µF
Duct connection	250 mm
Max. flow	1210 m³/h
Max. pressure	650 Pa
Voltage range	220-240 V

## SOUND DATA

	Flow (m³/h)	$L_{WA}$ tot dB (A)	63Hz	125Hz	250Hz	500Hz	1KHz	2KHz	4KHz	8KHz
2. Surrounding Lw dB(A) 230V	904	53	42	40	50	46	42	37	33	29
2. Outlet Lw dB(A) 230V	904	73	56	58	67	64	65	67	64	58
2. Inlet Lw dB(A) 230V	904	62	54	54	57	49	51	48	47	41
1. Inlet Lw dB(A) 165V	796	60	49	52	57	45	48	45	42	38

## DIMENSIONS





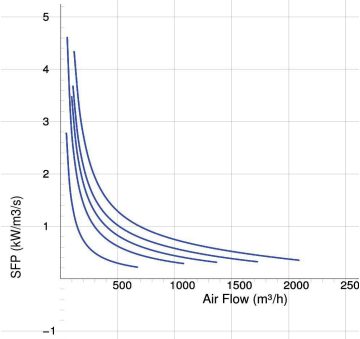
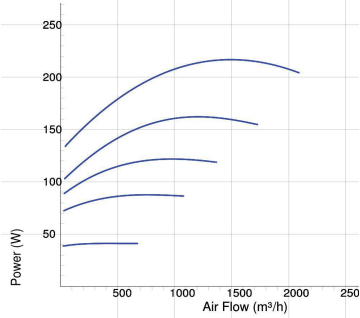
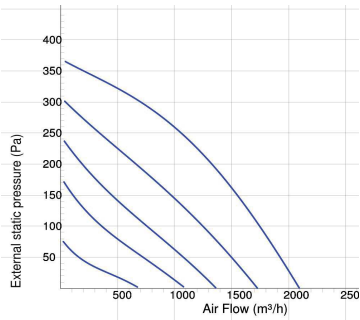
# IRB 315 B3 ErP

## IRB Circular

- Insulated duct fan with circular connections.
- Equipped with 50 mm of thermal and acoustic insulation makes it ideal for handling cold air.
- Designed for high pressure and long, complicated duct runs.
- The design prioritise functionality, durability and longevity.
- Impeller with backward curved blades.
- The external rotor motor has maintenance-free sealed ball-bearings.
- Integrated motor protection.
- Junction box has enclosure class IP 54.
- For speed control a transformer or electronic speed controller can be connected.
- The housing is manufactured from galvanized sheet steel.
- Duct connections are equipped with rubber seals.
- The fan is intended to be installed in a duct system.
- A duct connected fan can be installed outside or in damp environments.

## Accessories

- VRTT 1
- VRDT 2
- MB Universal
- MK 315
- BSV 315
- RSK 315
- YG 315
- VK 315
- FLK 315
- FLF 315
- LDC 315



## Voltage steps

1	2	3	4	5
95V	145V	185V	240V	400V

## TECHNICAL DATA

7890113 IRB 315 B3 ErP	
Voltage	400 V
Voltage Delta	230 V
Phase	3 ~
Frequency	50 Hz
Power	215 W
Current	0.42 A
Current when speed controlled	0.44 A
Current Delta	0,73 A
Current Delta when speed controlled	0.77 A
Speed	1350 r.p.m.
Max. temperature of transported air	80 °C
Max. temperature of transported air when speed controlled	80 °C
Sound pressure level at 3 m	47 dB(A)
Weight	43.4 kg
Enclosure class	54 IP
Insulation class, motor	F
Capacitor	- µF
Duct connection	315 mm
Max. flow	2095 m³/h
Max. pressure	366 Pa
Voltage range	380-415 V

## SOUND DATA

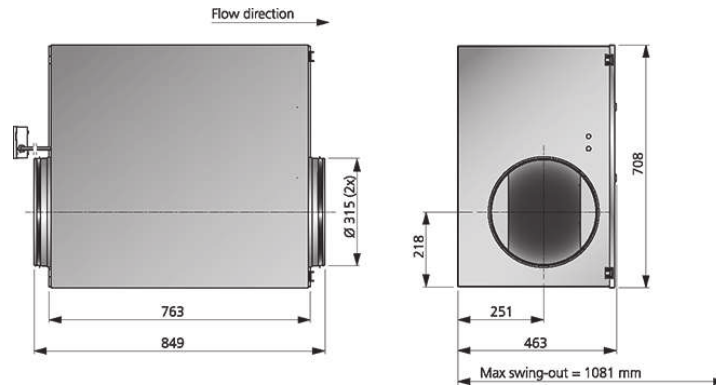
	Flow (m³/h)	$L_{WA}$ tot dB (A)	63Hz	125Hz	250Hz	500Hz	1KHz	2KHz	4KHz	8KHz
5. Surrounding Lw dB(A) 400V	1519	54	40	51	51	37	36	30	29	28
5. Outlet Lw dB(A) 400V	1519	70	56	68	64	54	53	50	50	38
5. Inlet Lw dB(A) 400V	1519	64	53	63	57	41	35	35	32	29
4. Inlet Lw dB(A) 240V	1238	63	51	62	51	35	30	30	29	25
3. Inlet Lw dB(A) 185V	947	57	50	56	46	29	26	26	25	19
2. Inlet Lw dB(A) 145V	781	47	45	41	38	23	25	24	14	11
1. Inlet Lw dB(A) 95V	526	35	31	30	29	12	18	14	13	10

## DIMENSIONS





# IRB 315 B3 ErP





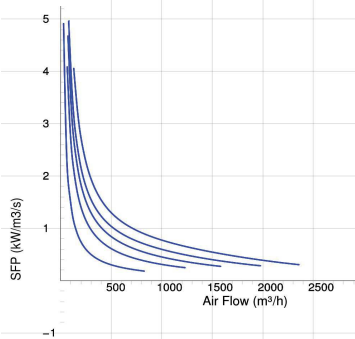
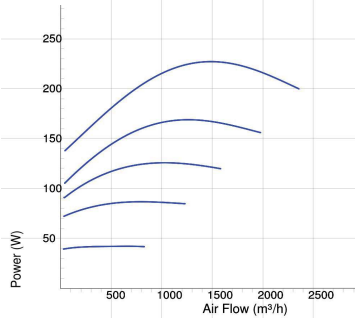
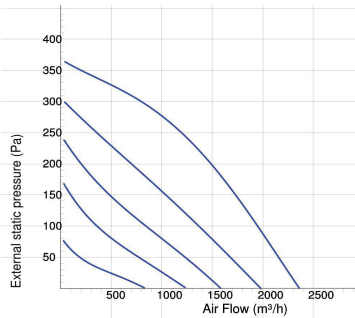
# IRB 355 B3 ErP

## IRB Circular

- Insulated duct fan with circular connections.
- Equipped with 50 mm of thermal and acoustic insulation makes it ideal for handling cold air.
- Designed for high pressure and long, complicated duct runs.
- The design prioritise functionality, durability and longevity.
- Impeller with backward curved blades.
- The external rotor motor has maintenance-free sealed ball-bearings.
- Integrated motor protection.
- Junction box has enclosure class IP 54.
- For speed control a transformer or electronic speed controller can be connected.
- The housing is manufactured from galvanized sheet steel.
- Duct connections are equipped with rubber seals.
- The fan is intended to be installed in a duct system.
- A duct connected fan can be installed outside or in damp environments.

## Accessories

- VRTT 1
- VRDT 2
- MB Universal
- MK 355
- BSV 355
- RSK 355
- VK 355



## Voltage steps

1	2	3	4	5
95V	145V	185V	240V	400V

## TECHNICAL DATA

7890121 IRB 355 B3 ErP	
Voltage	400 V
Voltage Delta	230 V
Phase	3 ~
Frequency	50 Hz
Power	228 W
Current	0.43 A
Current when speed controlled	0.45 A
Current Delta	0.75 A
Current Delta when speed controlled	0.78 A
Speed	1340 r.p.m.
Max. temperature of transported air	80 °C
Max. temperature of transported air when speed controlled	80 °C
Sound pressure level at 3 m	49 dB(A)
Weight	45.1 kg
Enclosure class	54 IP
Insulation class, motor	F
Capacitor	- µF
Duct connection	355 mm
Max. flow	2362 m³/h
Max. pressure	366 Pa
Voltage range	380-415 V

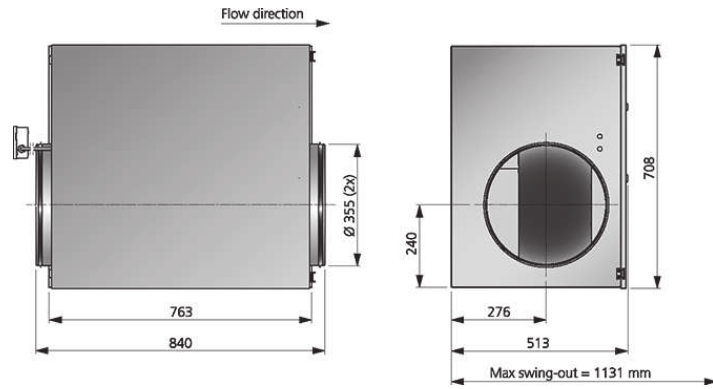
## SOUND DATA

	Flow (m³/h)	L <sub>WA</sub> tot dB (A)	63Hz	125Hz	250Hz	500Hz	1KHz	2KHz	4KHz	8KHz
5. Surrounding Lw dB(A) 400V	1811	56	40	55	50	36	34	28	28	27
5. Outlet Lw dB(A) 400V	1811	70	56	68	66	56	54	52	56	46
5. Inlet Lw dB(A) 400V	1811	65	54	64	58	44	35	34	35	31
4. Inlet Lw dB(A) 240V	1429	63	50	62	52	36	30	29	33	25
3. Inlet Lw dB(A) 185V	1163	55	49	53	47	29	26	28	29	18
2. Inlet Lw dB(A) 145V	896	49	47	43	39	22	27	26	14	11
1. Inlet Lw dB(A) 95V	662	38	36	31	25	14	21	14	12	9

## DIMENSIONS



# IRB 355 B3 ErP





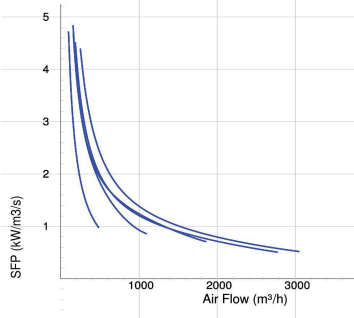
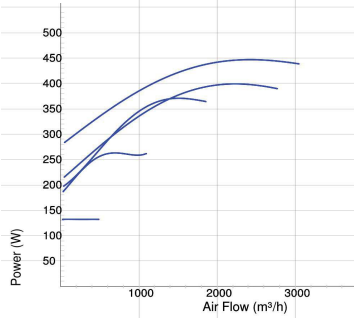
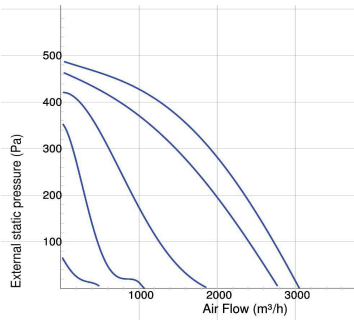
# IRB 355 D1 ErP

## IRB Circular

- Insulated duct fan with circular connections.
- Equipped with 50 mm of thermal and acoustic insulation makes it ideal for handling cold air.
- Designed for high pressure and long, complicated duct runs.
- The design prioritise functionality, durability and longevity.
- Impeller with backward curved blades.
- The external rotor motor has maintenance-free sealed ball-bearings.
- Integrated motor protection.
- Junction box has enclosure class IP 54.
- For speed control a transformer or electronic speed controller can be connected.
- The housing is manufactured from galvanized sheet steel.
- Duct connections are equipped with rubber seals.
- The fan is intended to be installed in a duct system.
- A duct connected fan can be installed outside or in damp environments.

## Accessories

- MB Universal
- VRTE 3
- VRDE 3
- MK 355
- BSV 355
- RSK 355
- VK 355



### Voltage steps

1	2	3	4	5
80V	110V	135V	165V	230V

## TECHNICAL DATA

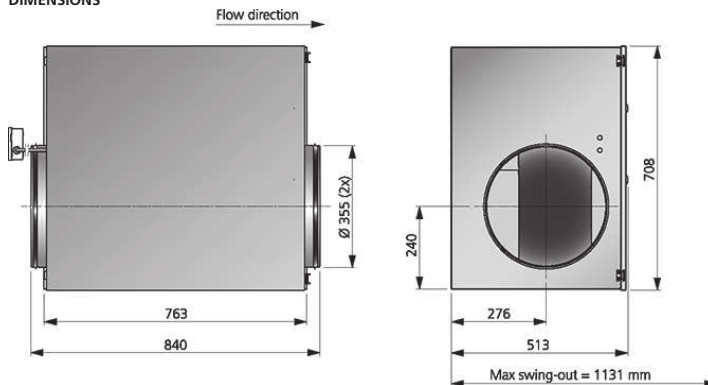
7890114  
IRB 355 D1 ErP

Voltage	230 V
Phase	1 ~
Frequency	50 Hz
Power	448 W
Current	2.08 A
Current when speed controlled	3.06 A
Speed	1400 r.p.m.
Max. temperature of transported air	80 °C
Max. temperature of transported air when speed controlled	65 °C
Sound pressure level at 3 m	52 dB(A)
Weight	48.2 kg
Enclosure class	54 IP
Insulation class, motor	F
Capacitor	10 µF
Duct connection	355 mm
Max. flow	3053 m³/h
Max. pressure	485 Pa
Voltage range	220-240 V

## SOUND DATA

	Flow (m³/h)	$L_{WA}$ tot dB (A)	63Hz	125Hz	250Hz	500Hz	1KHz	2KHz	4KHz	8KHz
5. Surrounding Lw dB(A) 230V	2268	59	45	56	54	42	40	35	33	29
5. Outlet Lw dB(A) 230V	2268	75	61	73	69	61	59	57	53	49
5. Inlet Lw dB(A) 230V	2268	71	59	69	63	51	41	40	37	35
4. Inlet Lw dB(A) 165V	2056	68	58	67	59	47	38	38	35	32
3. Inlet Lw dB(A) 135V	1112	58	55	54	48	36	32	27	26	20
2. Inlet Lw dB(A) 110V	565	48	44	44	38	30	26	20	18	10
1. Inlet Lw dB(A) 80V	432	39	28	36	34	17	16	15	13	10

## DIMENSIONS





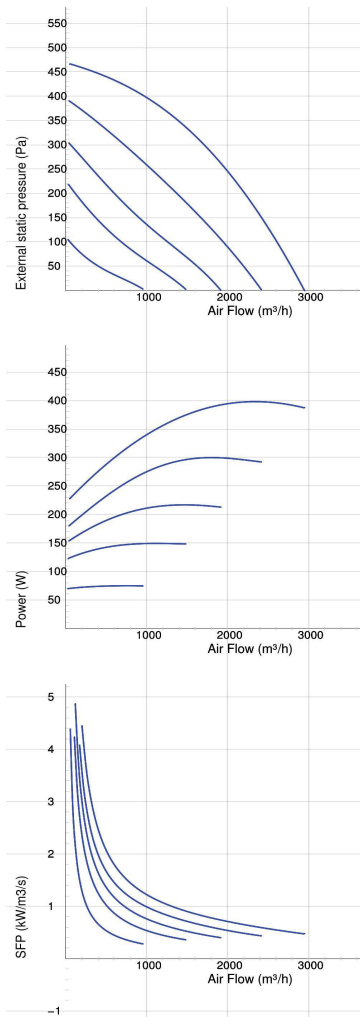
# IRB 355 D3 ErP

## IRB Circular

- Insulated duct fan with circular connections.
- Equipped with 50 mm of thermal and acoustic insulation makes it ideal for handling cold air.
- Designed for high pressure and long, complicated duct runs.
- The design prioritise functionality, durability and longevity.
- Impeller with backward curved blades.
- The external rotor motor has maintenance-free sealed ball-bearings.
- Integrated motor protection.
- Junction box has enclosure class IP 54.
- For speed control a transformer or electronic speed controller can be connected.
- The housing is manufactured from galvanized sheet steel.
- Duct connections are equipped with rubber seals.
- The fan is intended to be installed in a duct system.
- A duct connected fan can be installed outside or in damp environments.

## Accessories

- VRTT 1
- VRDT 2
- MB Universal
- MK 355
- BSV 355
- RSK 355
- VK 355



## Voltage steps

1	2	3	4	5
95V	145V	185V	240V	400V

## TECHNICAL DATA

7890115 IRB 355 D3 ErP	
Voltage	400 V
Voltage Delta	230 V
Phase	3 ~
Frequency	50 Hz
Power	397 W
Current	0.76 A
Current when speed controlled	0.8 A
Current Delta	1,32 A
Current Delta when speed controlled	1.39 A
Speed	1340 r.p.m.
Max. temperature of transported air	70 °C
Max. temperature of transported air when speed controlled	60 °C
Sound pressure level at 3 m	52 dB(A)
Weight	46.7 kg
Enclosure class	54 IP
Insulation class, motor	F
Capacitor	- µF
Duct connection	355 mm
Max. flow	2948 m³/h
Max. pressure	466 Pa
Voltage range	380-415 V

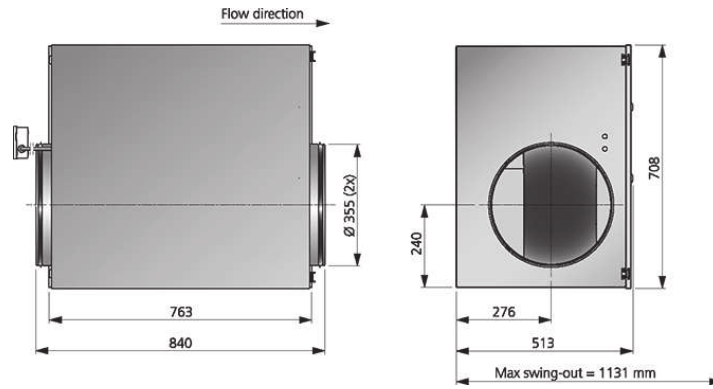
## SOUND DATA

	Flow (m³/h)	$L_{WA}$ tot dB (A)	63Hz	125Hz	250Hz	500Hz	1KHz	2KHz	4KHz	8KHz
5. Surrounding Lw dB(A) 400V	2304	59	46	57	54	42	37	32	30	28
5. Outlet Lw dB(A) 400V	2304	76	64	73	70	61	59	56	54	48
5. Inlet Lw dB(A) 400V	2304	71	61	69	63	52	42	40	37	35
4. Inlet Lw dB(A) 240V	1890	65	57	63	57	44	35	33	32	27
3. Inlet Lw dB(A) 185V	1411	60	54	57	52	35	28	28	28	21
2. Inlet Lw dB(A) 145V	1145	53	52	46	45	27	22	24	20	13
1. Inlet Lw dB(A) 95V	781	42	40	34	34	15	17	18	13	10

## DIMENSIONS



# IRB 355 D3 ErP





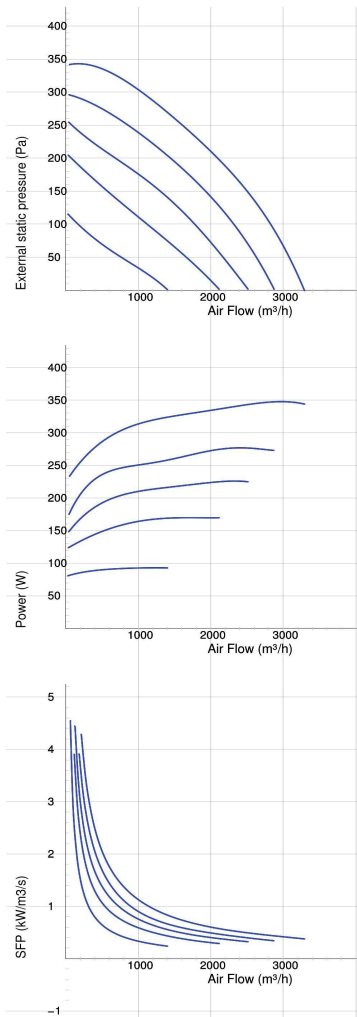
# IRB 400 B3 ErP

## IRB Circular

- Insulated duct fan with circular connections.
- Equipped with 50 mm of thermal and acoustic insulation makes it ideal for handling cold air.
- Designed for high pressure and long, complicated duct runs.
- The design prioritise functionality, durability and longevity.
- Impeller with backward curved blades.
- The external rotor motor has maintenance-free sealed ball-bearings.
- Integrated motor protection.
- Junction box has enclosure class IP 54.
- For speed control a transformer or electronic speed controller can be connected.
- The housing is manufactured from galvanized sheet steel.
- Duct connections are equipped with rubber seals.
- The fan is intended to be installed in a duct system.
- A duct connected fan can be installed outside or in damp environments.

## Accessories

- VRTT 1
- VRDT 2
- MK 400
- BSV 400
- RSK 400
- VK 400
- FLK 400
- FLF 400



### Voltage steps

1	2	3	4	5
95V	145V	185V	240V	400V

## TECHNICAL DATA

### 7890116 IRB 400 E3 ErP

Voltage	400 V
Voltage Delta	230 V
Phase	3 ~
Frequency	50 Hz
Power	355 W
Current	0.76 A
Current 2	1.3 A
Current when speed controlled	0.78 A
Current Delta	1.3 A
Current Delta when speed controlled	1.36 A
Speed	930 r.p.m.
Max. temperature of transported air	80 °C
Max. temperature of transported air when speed controlled	80 °C
Sound pressure level at 3 m	47 dB(A)
Weight	63.2 kg
Enclosure class	54 IP
Insulation class, motor	F
Capacitor	- µF
Duct connection	400 mm
Max. flow	3290 m³/h
Max. pressure	348 Pa
Voltage range	380-415 V

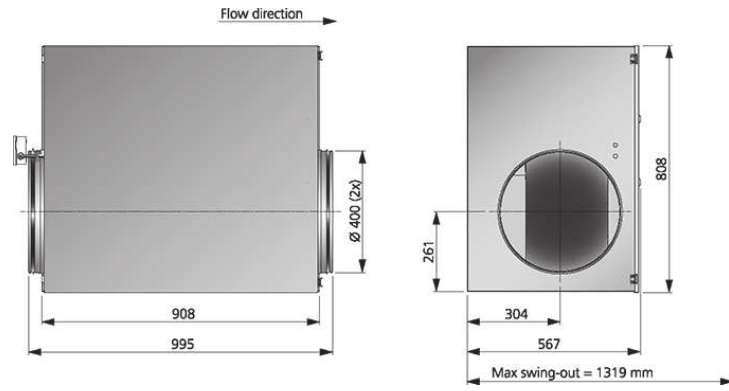
## SOUND DATA

	Flow (m³/h)	$L_{wa}$ tot dB (A)	63Hz	125Hz	250Hz	500Hz	1KHz	2KHz	4KHz	8KHz
5. Surrounding Lw dB(A) 400V	2614	54	48	49	49	42	36	28	28	28
5. Outlet Lw dB(A) 400V	2614	75	64	74	64	57	53	51	50	39
5. Inlet Lw dB(A) 400V	2614	67	59	65	60	54	44	37	34	35
4. Inlet Lw dB(A) 240V	2264	64	61	57	55	50	39	33	31	32
3. Inlet Lw dB(A) 185V	1958	59	56	53	51	45	34	30	27	28
2. Inlet Lw dB(A) 145V	1656	52	49	47	46	37	28	26	22	23
1. Inlet Lw dB(A) 95V	1184	42	38	36	36	21	18	16	16	11

## DIMENSIONS



# IRB 400 B3 ErP







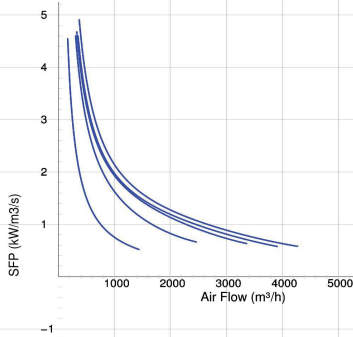
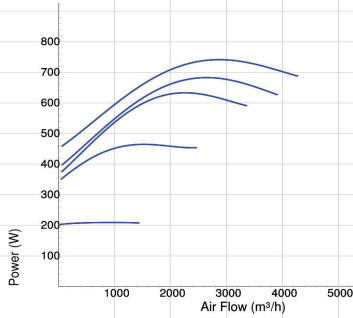
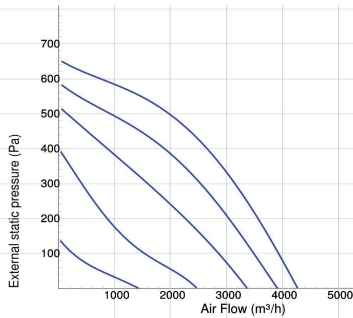
# IRB 400 E3 ErP

## IRB Circular

- Insulated duct fan with circular connections.
- Equipped with 50 mm of thermal and acoustic insulation makes it ideal for handling cold air.
- Designed for high pressure and long, complicated duct runs.
- The design prioritise functionality, durability and longevity.
- Impeller with backward curved blades.
- The external rotor motor has maintenance-free sealed ball-bearings.
- Integrated motor protection.
- Junction box has enclosure class IP 54.
- For speed control a transformer or electronic speed controller can be connected.
- The housing is manufactured from galvanized sheet steel.
- Duct connections are equipped with rubber seals.
- The fan is intended to be installed in a duct system.
- A duct connected fan can be installed outside or in damp environments.

## Accessories

- VRTT 4
- VRDT 4
- MK 400
- BSV 400
- RSK 400
- VK 400
- FLK 400
- FLF 400



## Voltage steps

1	2	3	4	5
95V	145V	185V	240V	400V

## TECHNICAL DATA

7890117 IRB 400 E3 ErP	
Voltage	400 V
Voltage Delta	230 V
Phase	3 ~
Frequency	50 Hz
Power	739 W
Current	1.45 A
Current when speed controlled	2.28 A
Current Delta	2,52 A
Current Delta when speed controlled	3.97 A
Speed	1440 r.p.m.
Max. temperature of transported air	80 °C
Max. temperature of transported air when speed controlled	60 °C
Sound pressure level at 3 m	53 dB(A)
Weight	68.4 kg
Enclosure class	54 IP
Insulation class, motor	F
Capacitor	- µF
Duct connection	400 mm
Max. flow	4277 m³/h
Max. pressure	665 Pa
Voltage range	380-415 V

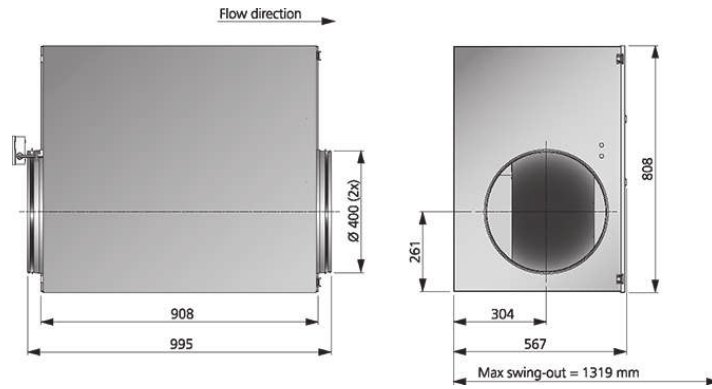
## SOUND DATA

	Flow (m³/h)	L <sub>WA</sub> tot dB (A)	63Hz	125Hz	250Hz	500Hz	1KHz	2KHz	4KHz	8KHz
5. Surrounding Lw dB(A) 400V	3280	60	48	56	57	46	44	36	35	31
5. Outlet Lw dB(A) 400V	3280	78	65	76	73	66	64	59	59	54
5. Inlet Lw dB(A) 400V	3280	71	60	69	65	60	54	45	42	41
4. Inlet Lw dB(A) 240V	2894	69	59	66	62	58	52	42	39	38
3. Inlet Lw dB(A) 185V	2513	65	56	63	58	54	51	36	35	34
2. Inlet Lw dB(A) 145V	1685	59	56	53	50	48	43	30	28	26
1. Inlet Lw dB(A) 95V	979	47	43	43	38	35	19	18	15	11

## DIMENSIONS



# IRB 400 E3 ErP





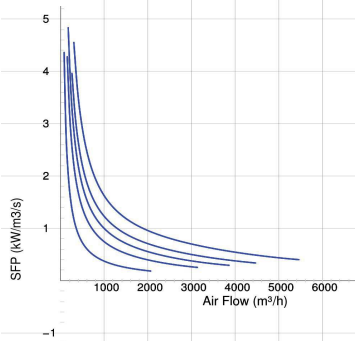
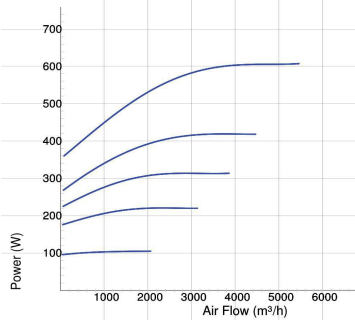
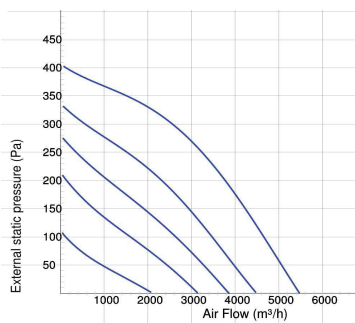
# IRB 500 B3 ErP

## IRB Circular

- Insulated duct fan with circular connections.
- Equipped with 50 mm of thermal and acoustic insulation makes it ideal for handling cold air.
- Designed for high pressure and long, complicated duct runs.
- The design prioritise functionality, durability and longevity.
- Impeller with backward curved blades.
- The external rotor motor has maintenance-free sealed ball-bearings.
- Integrated motor protection.
- Junction box has enclosure class IP 54.
- For speed control a transformer or electronic speed controller can be connected.
- The housing is manufactured from galvanized sheet steel.
- Duct connections are equipped with rubber seals.
- The fan is intended to be installed in a duct system.
- A duct connected fan can be installed outside or in damp environments.

## Accessories

- VRDT 2
- VRTT 2
- MK 500
- BSV 500
- RSK 500
- VK 500



### Voltage steps

1	2	3	4	5
95V	145V	185V	240V	400V

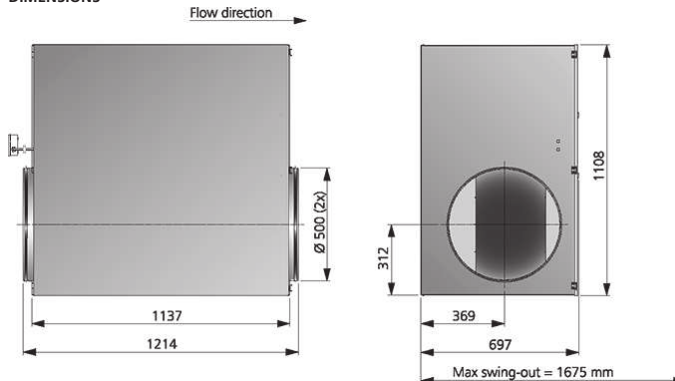
## TECHNICAL DATA

7890118 IRB 500 B3 ErP	
Voltage	400 V
Voltage Delta	230 V
Phase	3 ~
Frequency	50 Hz
Power	611 W
Current	1.42 A
Current Delta	2.47 A
Speed	890 r.p.m.
Max. temperature of transported air	75 °C
Max. temperature of transported air when speed controlled	75 °C
Sound pressure level at 3 m	53 dB(A)
Weight	87 kg
Enclosure class	54 IP
Insulation class, motor	F
Capacitor	- µF
Duct connection	500 mm mm
Max. flow	5476 m³/h
Max. pressure	405 Pa
Voltage range	380-415 V

## SOUND DATA

	Flow (m³/h)	$L_{WA}$ tot dB (A)	63Hz	125Hz	250Hz	500Hz	1KHz	2KHz	4KHz	8KHz
5. Surrounding Lw dB(A) 400V	3967	60	53	59	51	39	36	33	31	28
5. Outlet Lw dB(A) 400V	3967	74	66	73	63	58	58	54	56	46
5. Inlet Lw dB(A) 400V	3967	68	60	67	56	45	43	40	39	39
4. Inlet Lw dB(A) 240V	3269	62	58	58	49	38	38	35	35	33
3. Inlet Lw dB(A) 185V	2869	60	59	53	43	33	33	31	32	28
2. Inlet Lw dB(A) 145V	2318	55	54	46	37	27	27	28	26	21
1. Inlet Lw dB(A) 95V	1498	38	35	34	25	17	19	21	16	14

## DIMENSIONS





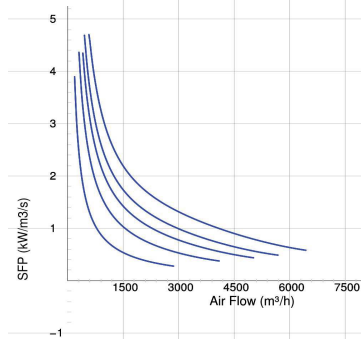
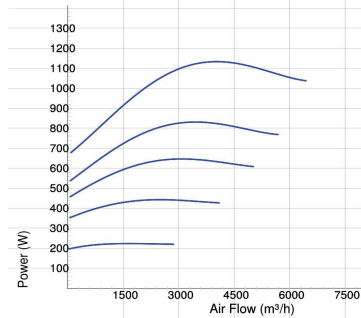
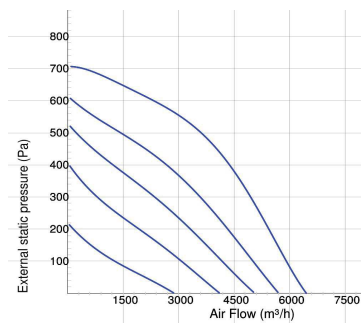
# IRB 500 E3 ErP

## IRB Circular

- Insulated duct fan with circular connections.
- Equipped with 50 mm of thermal and acoustic insulation makes it ideal for handling cold air.
- Designed for high pressure and long, complicated duct runs.
- The design prioritise functionality, durability and longevity.
- Impeller with backward curved blades.
- The external rotor motor has maintenance-free sealed ball-bearings.
- Integrated motor protection.
- Junction box has enclosure class IP 54.
- For speed control a transformer or electronic speed controller can be connected.
- The housing is manufactured from galvanized sheet steel.
- Duct connections are equipped with rubber seals.
- The fan is intended to be installed in a duct system.
- A duct connected fan can be installed outside or in damp environments.

## Accessories

- VRDT 4
- VRTT 4
- MK 500
- BSV 500
- RSK 500
- VK 500



### Voltage steps

1	2	3	4	5
95V	145V	185V	240V	400V

## TECHNICAL DATA

7890119  
IRB 500 E3 ErP

Voltage	400 V
Voltage Delta	230 V
Phase	3 ~
Frequency	50 Hz
Power	1130 W
Current	2.58 A
Current Delta	4,49 A
Speed	1371 r.p.m.
Max. temperature of transported air	80 °C
Max. temperature of transported air when speed controlled	80 °C
Sound pressure level at 3 m	58 dB(A)
Weight	89.2 kg
Enclosure class	54 IP
Insulation class, motor	F
Capacitor	- µF
Duct connection	500 mm
Max. flow	6455 m³/h
Max. pressure	706 Pa
Voltage range	380-415 V

## SOUND DATA

	Flow (m³/h)	$L_{WA}$ tot dB (A)	63Hz	125Hz	250Hz	500Hz	1KHz	2KHz	4KHz	8KHz
5. Surrounding Lw dB(A) 400V	5080	65	51	63	60	50	41	39	36	32
5. Outlet Lw dB(A) 400V	5080	81	64	78	74	71	70	64	63	62
5. Inlet Lw dB(A) 400V	5080	74	62	73	65	54	51	49	47	46
4. Inlet Lw dB(A) 240V	4388	70	58	69	59	48	47	45	43	42
3. Inlet Lw dB(A) 185V	3863	68	56	67	56	43	42	41	41	37
2. Inlet Lw dB(A) 145V	3143	63	55	61	50	37	38	36	37	32
1. Inlet Lw dB(A) 95V	2153	54	52	49	39	27	29	32	27	23

## DIMENSIONS

