

Domekt R 600 H

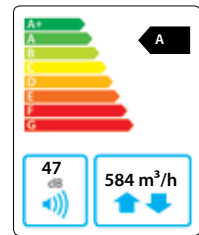
Maximal air flow, m ³ /h	584
Unit weight, kg	80
Supply voltage, V	1~230
Maximal operating current, A	HE 7,3
Thermal efficiency of heat recovery, %	83
Reference flow rate, m ³ /s	0,114
Reference pressure difference, Pa	50
SPI, W/(m ³ /h)	0,35
Filters dimensions BxHxL, mm	475x235x46
Electric power input of the fan drive at reference flow rate, W	77
Electric power input of the fan drive at maximum flow rate, W	179
Electric air heater capacity, kW / Δt, °C	1 / 6,8
Control panel	C6.1 / C6.2
Maintenance space, mm	500



C6.1



C6.2



Acoustic data

A-weighted sound power level L_{WA} , dB(A) at reference flow rate

Supply inlet	58
Supply outlet	67
Exhaust inlet	58
Exhaust outlet	67
Casing	47

A-weighted sound pressure level L_{PA} , dB(A)

10 m² normally isolated room, distance from casing – 3 m.

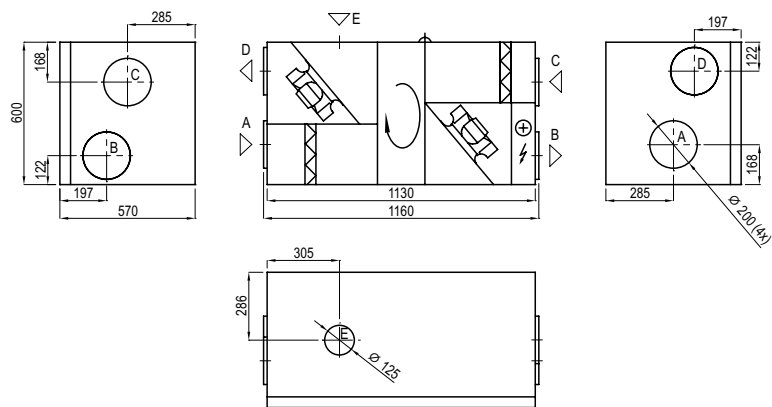
Surroundings	36
--------------	----

Temperature efficiency

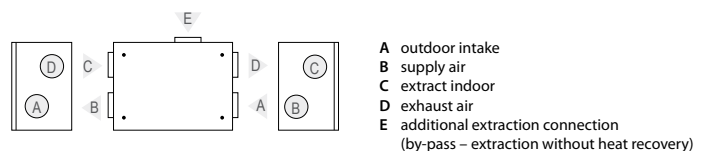
Outside temperature, °C	Winter					Summer		
	-23	-15	-10	-5	0	25	30	35
After heat exchanger, °C	13,1	14,7	15,7	16,7	17,6	22,6	23,6	24,6

indoor +22°C, 20 % RH

Shown as right (R1)

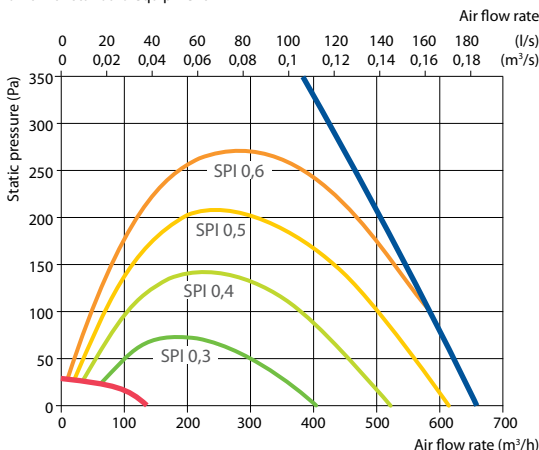


Shown as left (L1)



Performance

Unit with standard equipment



Accessories (p. 123)

Closing damper	AGUJ-M-200+LF230/LM230
Silencer	A/D AGS-200-50-600-M B/C AGS-200-50-900-M
Water heater	DH-200
PPU	PPU-HW-3R-15-0,63-W1

2-way valve (water heater)	VVP47.10-0,63
Water cooler	DCW-0,7-5 / DHCW-200
2-way valve (water cooler)	VVP47.15-2,5
DX cooler	DCF-0,7-5
Cooling unit	MOU-18HFN8+KA8140